

WFB 20-12 for DC.. 11T3.., left, without gripper groove

Technical data

TH accessories category

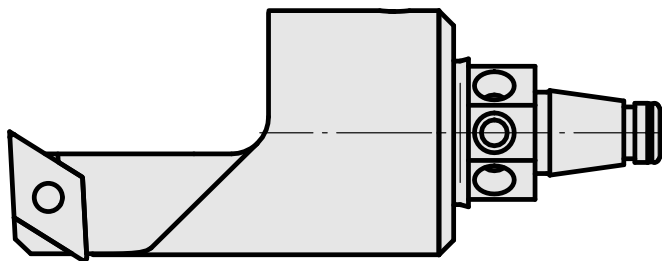
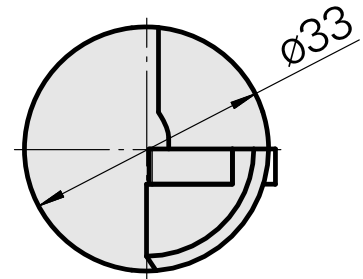
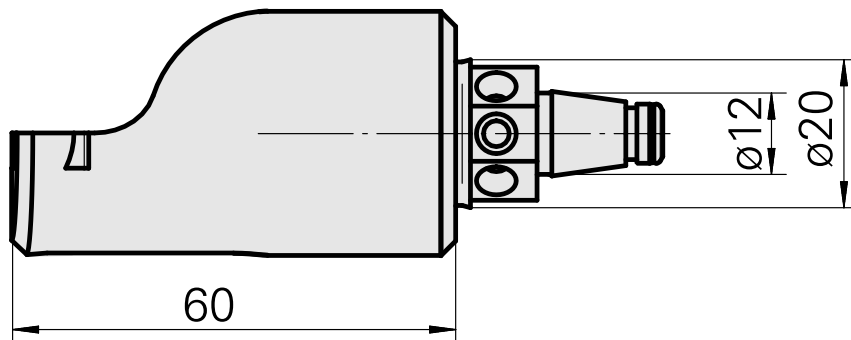
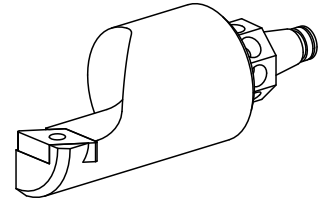
WFB 20-12

Mounting

for DC.. 11T3..

Quick change inserts

Turning tool holder



10845247
W9990493

INDEX

Documents

No downloads available for this product