

INDEX CAPTO C3 for DN.. 1104.., right, without gripper groove

Technical data

TH accessories category

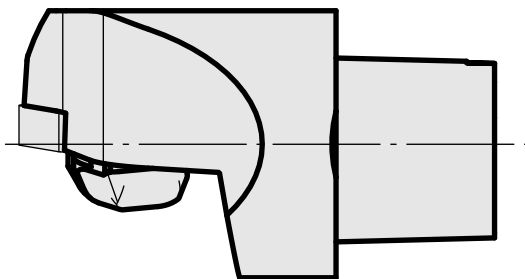
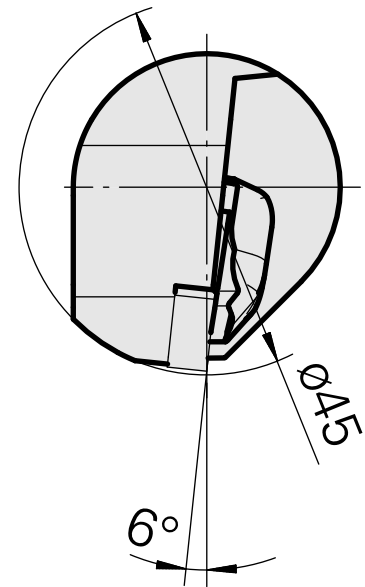
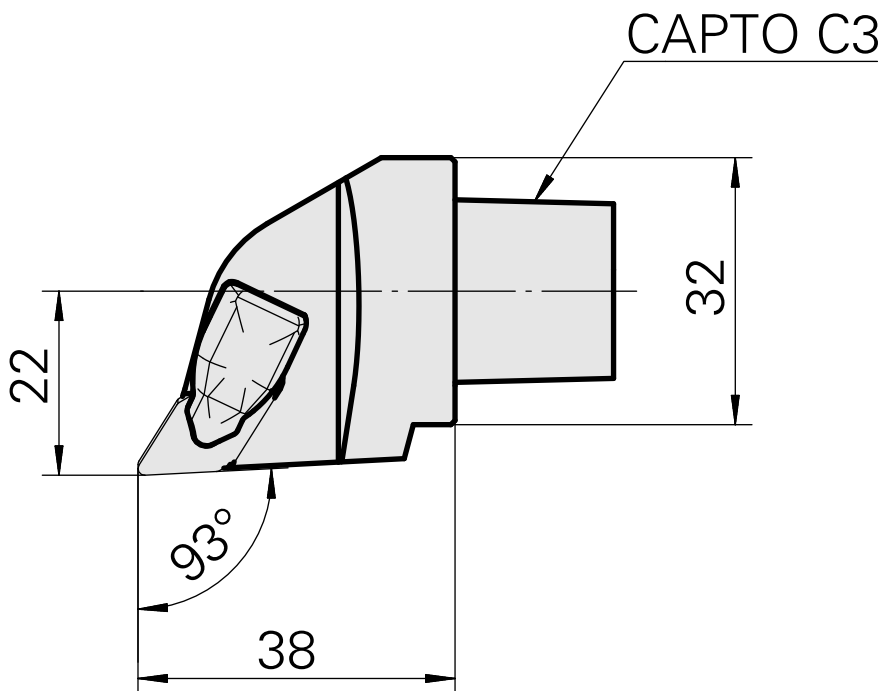
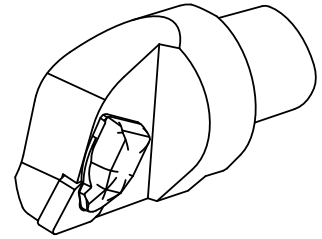
INDEX CAPTO C3

Mounting

for DN.. 1104..

Quick change inserts

Turning tool holder



10765148
W9990807

INDEX

Documents

No downloads available for this product