

Presetting device /INDEX CAPTO C3

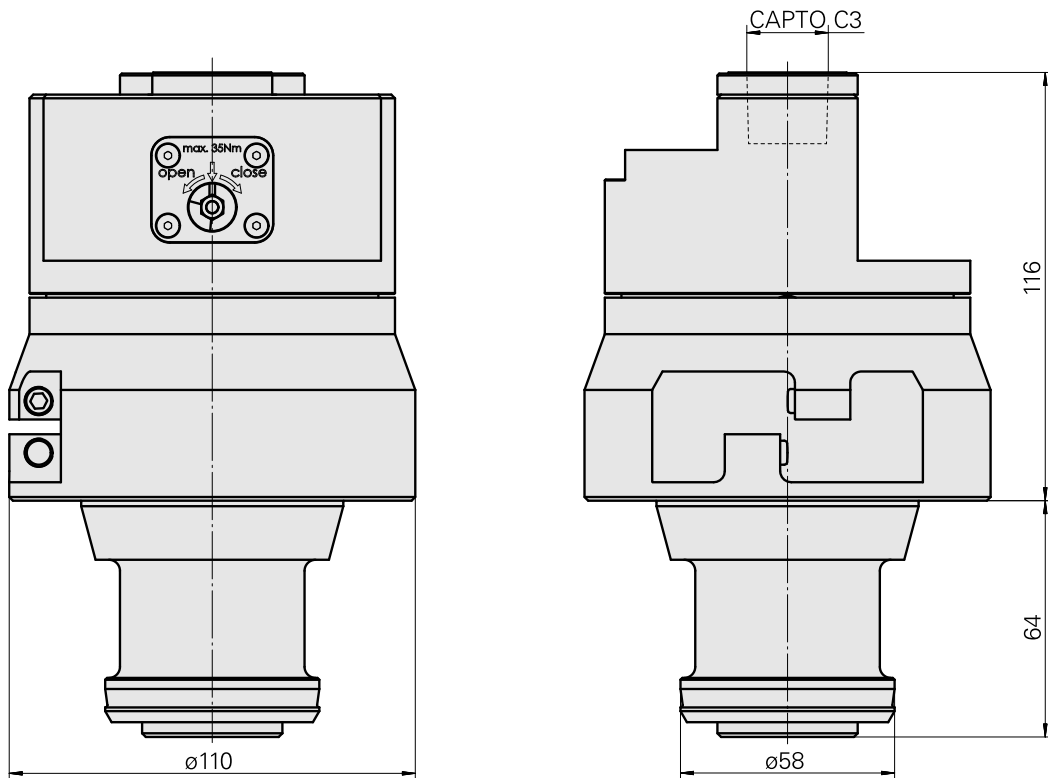
Technical data

TH accessories category

Adapter pre-adjustment block

Tool mounting

CAPTO C3



Documents

No downloads available for this product