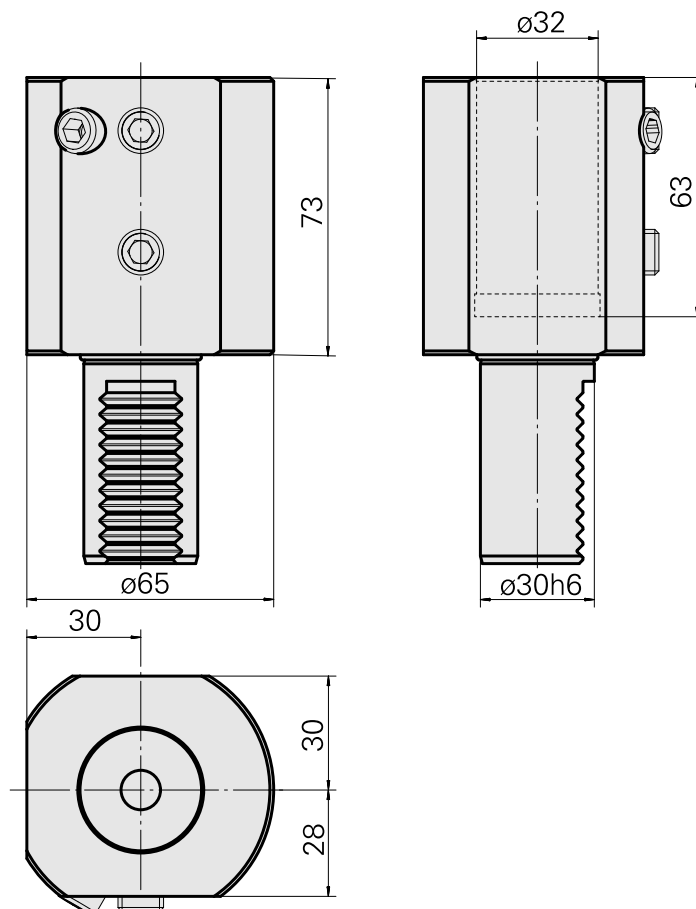


Drilling tool holder VDI 30 D32

Technical data

Shank VDI	VDI 30
Drive	not live
Fixation VDI	none
Cooling	internal
Pressure	80 bar
Mounting	D32
reversible 180°	no
Data carrier	check tool station bore
X [mm]	73 (2.87")
Y [mm]	–
Z [mm]	–
INDEX TRAUB products	IT600 • V100 • V200 • V160C • V160G • V300 • TNA300



Documents

No downloads available for this product

Accessories

Optional accessories

Other accessories

[Mounting sleeve with collar D32](#)

Product ID : 10505810

Previous product ID : W63221.40--
