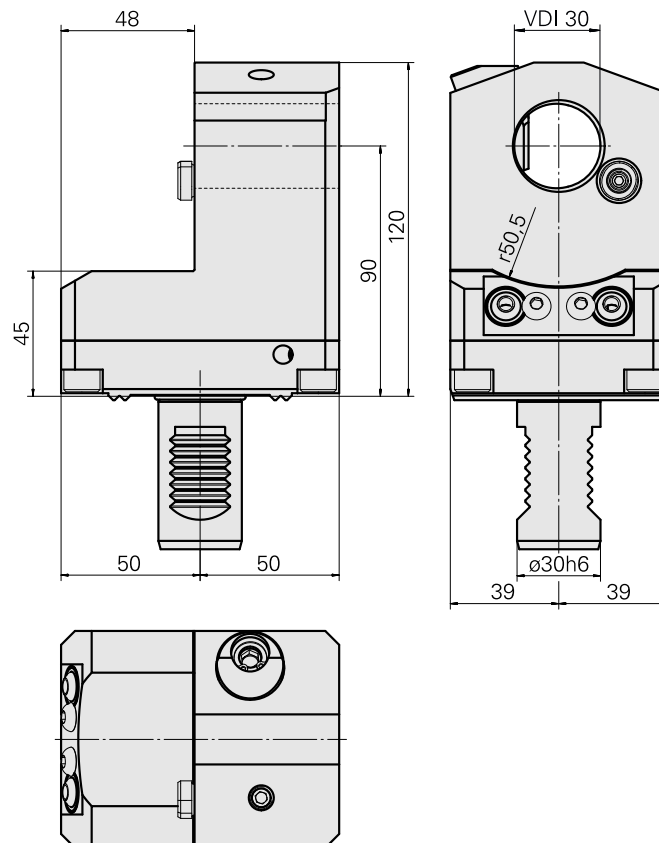
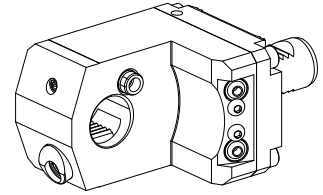


## Compensation holder

### Technical data

<b>Shank VDI</b>	VDI 30
<b>Drive</b>	not live
<b>Fixation VDI</b>	W serration
<b>Cooling</b>	external and internal
<b>Pressure</b>	40 bar
<b>Mounting</b>	VDI 30
<b>reversible 180°</b>	yes
<b>Data carrier</b>	tool station bore present
<b>X [mm]</b>	90 (3.54")
<b>Y [mm]</b>	–
<b>Z [mm]</b>	2 (0.08)
<b>INDEX TRAUB products</b>	G160 • G300 • B400 • C200 • G220 • G250 • TNX65/42 • TNA400.2 • G300.2 • G320.2 • G220.3 • TNX220.3 • TNX200.3 • G200.3 • G320.3 compact • B400.3 • TNA400.3



---

## Documents

No downloads available for this product

## Accessories

Optional accessories

### Other accessories

#### [Blanking plug MIT O-RING 479105.1200](#)

Product ID : 10988240

Previous product ID : W68540.2014

---

#### [Sealing kit](#)

Product ID : 12181693

Previous product ID :

---

#### [SPRAY NOZZLE 14D/M6](#)

Product ID : 10358770

Previous product ID : 474550.0121

---

#### [Lens head screw](#)

Product ID : 10188636

Previous product ID : 410243.0606

---

#### [Data carrier - BIS M-122-02/A](#)

Product ID : 12147357

Previous product ID :

---

#### [Data carrier - BIS C-122-04/L](#)

Product ID : 10878866

Previous product ID : 252310.1003

---

10596518  
W1350000

**INDEX**

---

Glue

Product ID : 12229404  
Previous product ID :

---

Not defined

Product ID : 10952854  
Previous product ID : WL3300.9130F

---