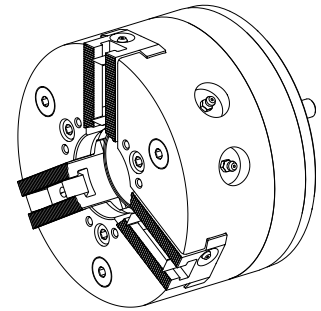


3-jaw chuck

Technical data

| | |
|----------------------------------|--------------------------------|
| INDEX TRAUB products | TNX65/42 |
| Spindle clearance | 65mm |
| Machining side | Main spindle • Counter spindle |
| manufacturer product line | KFD-HS175 |
| Spindle mounting | KK 6 |
| manufacturer product line | Roehm |



No 3-side view is currently available for this product

Documents

No downloads available for this product

Accessories

Optional accessories

O-Rings

[Gasket ring OR 64,0 X2,0](#)

Product ID : 10969405

Previous product ID : 319817

| | | | |
|---|------------------|---------------------------|-------------------------------------|
| manufacturer product line Trelleborg | TSS material no. | Cord size 2 Millimeter | manufacturer product line O-ring |
|---|------------------|---------------------------|-------------------------------------|

Maintenance packages

[Gasket ring](#)

Product ID : 10674942

Previous product ID : 479103.0752

[O-RING 72,75X1,78 V70SH](#)

Product ID : 10840379

Previous product ID : 479103.0721

Other accessories

[Mounting jaws Id.Nr 046403 \(3x 116735\)](#)

Product ID : 10645157

Previous product ID : 908127.2951

[Threaded bush KFD-HS 175 A6](#)

Product ID : 10814016

Previous product ID : 468832

10572794
323465

INDEX

Cover

Product ID : 10683451
Previous product ID : 940779

Boring fixture Standard-Umfang bis Ø250mm

Product ID : 10362531
Previous product ID : W9991012

Boring fixture Premium-Umfang bis Ø250mm

Product ID : 10422192
Previous product ID : W9991013

Spanner

Product ID : 10206139
Previous product ID : 776192
