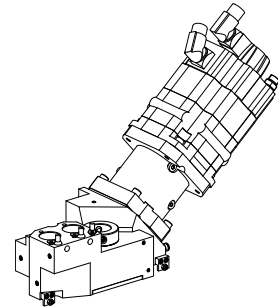


Back end unit MS52 1:1 2x D32 – 1x WFB, fluid-cooled drive

Technical data

Slide system MS	MS52
Drive	Direct drive
Fixation MS	Splined key/pin
Speed ratio	1:1
Cooling	external and internal
Pressure	extern. 40 bar, intern. 80 bar
Mounting	2x D32 – 1x WFB 32-20
X [mm]	–
Y [mm]	–
Z [mm]	–
INDEX TRAUB products	MS52C • MS52-6.3



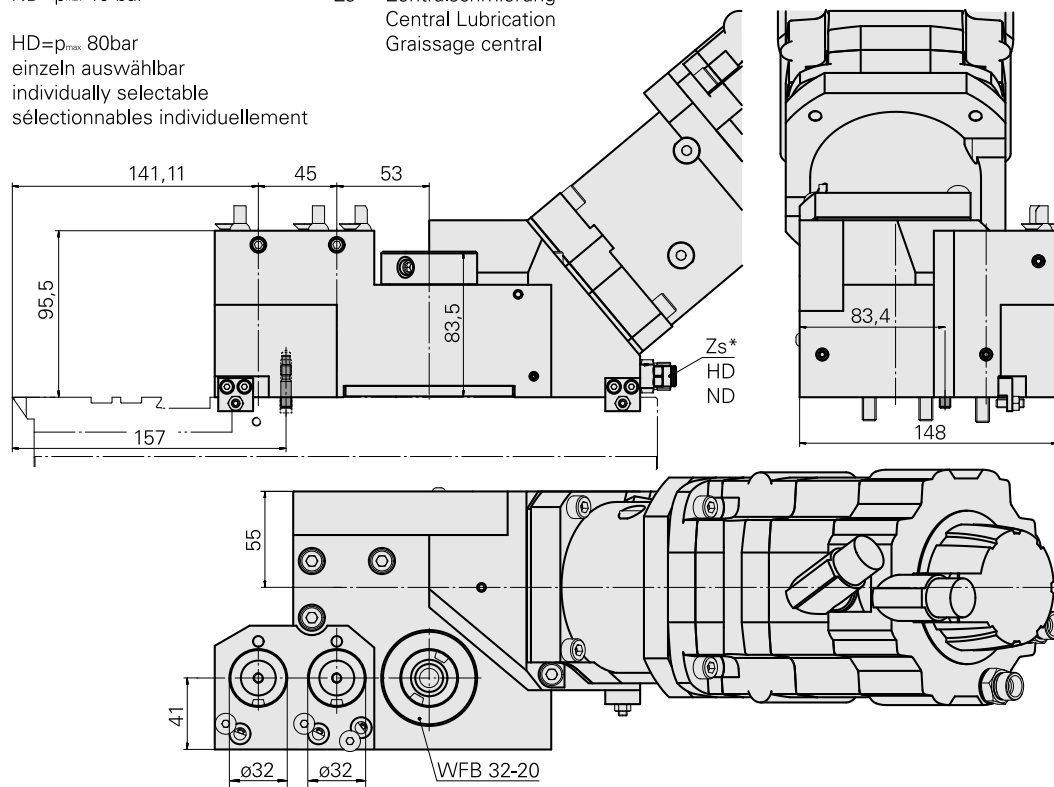
Note

Can be used only in position 6.2! The unit must be connected to a central lubrication system! The unit may only be used in combination with any of the specified motors and the corresponding UNIT! Motor (AC), 10 Nm – 12107824 (Siemens 1FT7062-5WK74-1NK2) included. UNIT 153

ND=p_{max} 40 bar

HD=p_{max} 80bar
einzeln auswählbar
individually selectable
sélectionnables individuellement

Zs* = Zentralschmierung
Central Lubrication
Graissage central



Documents

Product notes

[DE \(pdf\)](#)

[EN \(pdf\)](#)

[FR \(pdf\)](#)

[PT \(pdf\)](#)

[DE \(pdf\)](#)

[EN \(pdf\)](#)

[FR \(pdf\)](#)

Accessories

Required for operation

[Assembly parts](#)

Product ID : 10261538

Previous product ID : W00031.0001

[Cable kit, 5m im Arbeitsraum](#)

Product ID : 10912003

Previous product ID : GM5702.9055

Optional accessories

Other accessories

[Grub screw](#)

Product ID : 10524071

Previous product ID : 410191.0810

[Lubrication pipe L=20](#)

Product ID : 10510228

Previous product ID : M11451.40

[Countersunk screw M 6x10/T30 verzinkt 402316 10](#)

Product ID : 10124078
Previous product ID : 410362.0610

[Shrink WFB 32-20 adapter](#)

Product ID : 10726868
Previous product ID : WZ9990.3206F

[Adapter WFB 32-20 Weldon](#)

Product ID : 10305353
Previous product ID : WZ9990.3207F

[Adapter WFB 32-20 with collet mounting](#)

Product ID : 10298507
Previous product ID : WZ9990.3208F

[adapter WFB 32-20 mill arbor mounting](#)

Product ID : 10640736
Previous product ID : WZ9990.3209F

[WFB hydr. expansion mounting](#)

Product ID : 10946690
Previous product ID : WZ9990.3210F

[Quick-Change Insert für Rückseiteneinheit MS](#)

Product ID : 10641466
Previous product ID : WM9990.3200F

[Grub screw M10x1x11](#)

Product ID : 10165359
Previous product ID : 326057
