

Mount VDI25

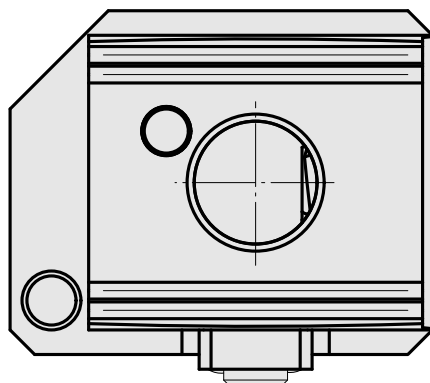
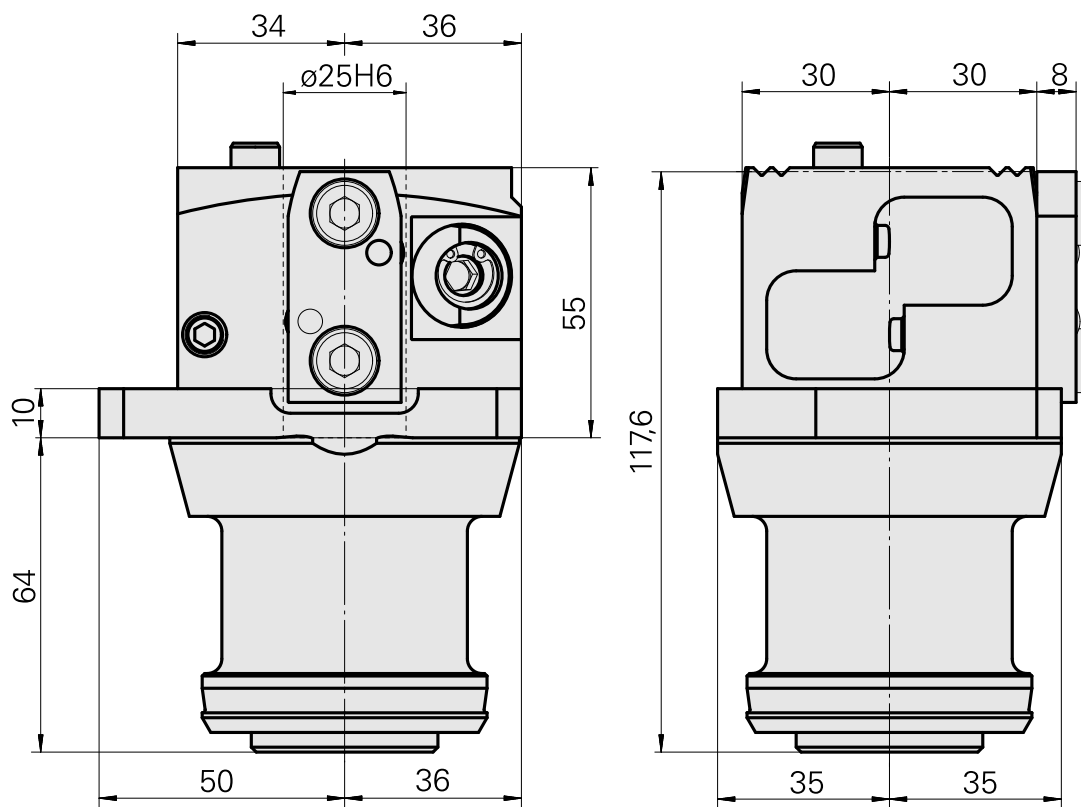
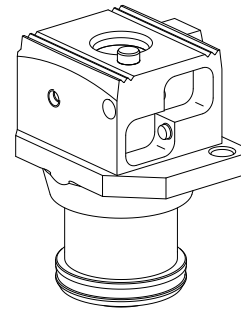
Technical data

TH accessories category

Adapter pre-adjustment block

Tool mounting

VDI 25



10491250
W9990192

INDEX

Documents

No downloads available for this product