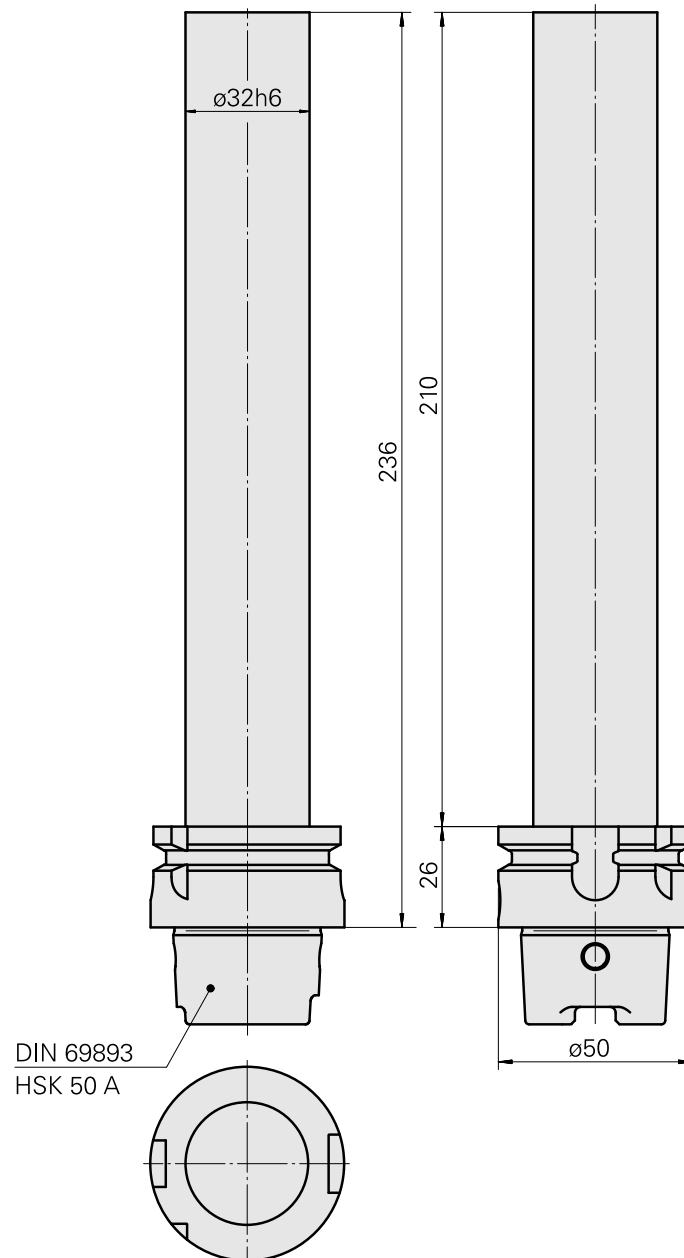
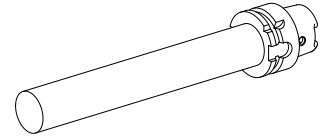


Calibrating tool HSK 50 A

Technical data

Shank HSK	HSK 50
Form HSK	A
X [mm]	346 (13.62")
INDEX TRAUB products	G250



Documents

No downloads available for this product

Accessories

Optional accessories

Tool holder accessories

[Coolant adapter kit](#)

Product ID : 10851451

Previous product ID : WS7600.0020

TH accessories
category
Cooling lubricant
transfer set

Mounting
HSK 50 C