

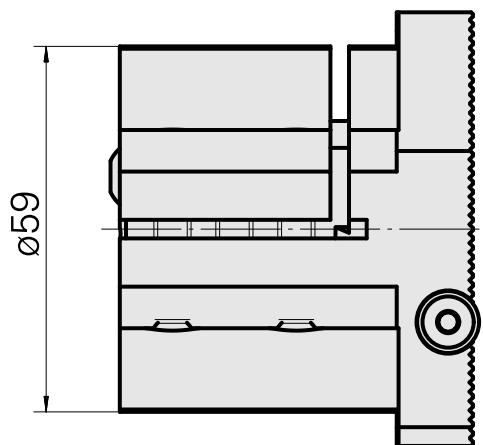
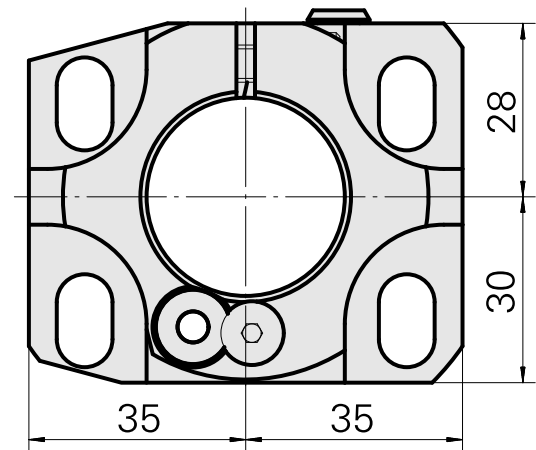
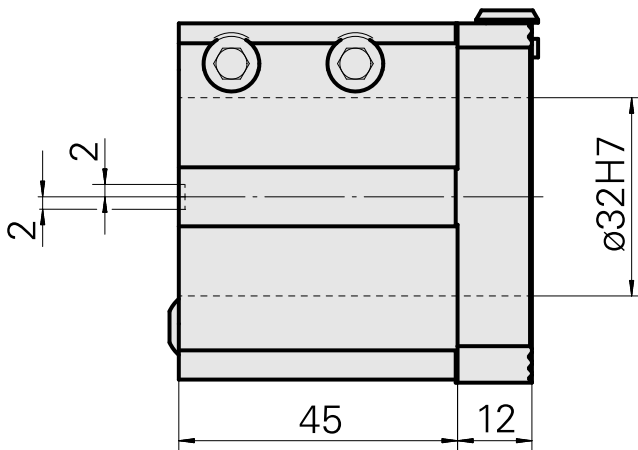
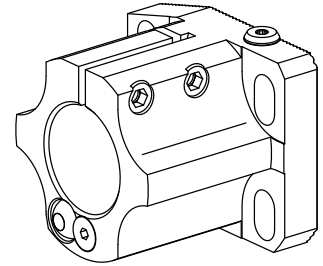
Drill holding block D32 (1.26 ")

Technical data

Drive	not live
Pressure	40 bar
Mounting	D32
X [mm]	57 (2.24")
Y [mm]	-
Z [mm]	-

INDEX TRAUB products

C42/65 • G160 • G300 • G400 •
TNX80 • V100 • V200 • A200-6 •
ABC • C100 • C200 • G200 • G200.2
• G220 • G250 • TNX65/42 • V160C
• V160G • V300 • TNA300 • B400
• B500 • TNA500.2 • TNA400.2
• ABC.2 • B400.3 • B500.3 •
TNA400.3 • TNA500.3



Documents

No downloads available for this product

Accessories

Optional accessories

Other accessories

[Mounting sleeve D32](#)

Product ID : 10022842

Previous product ID : W63220.02--
