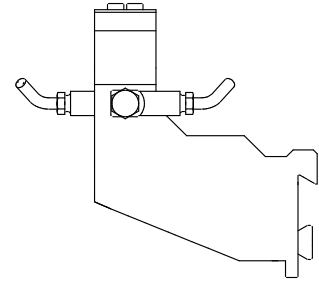


## Drilling tool holder Circular prism D20

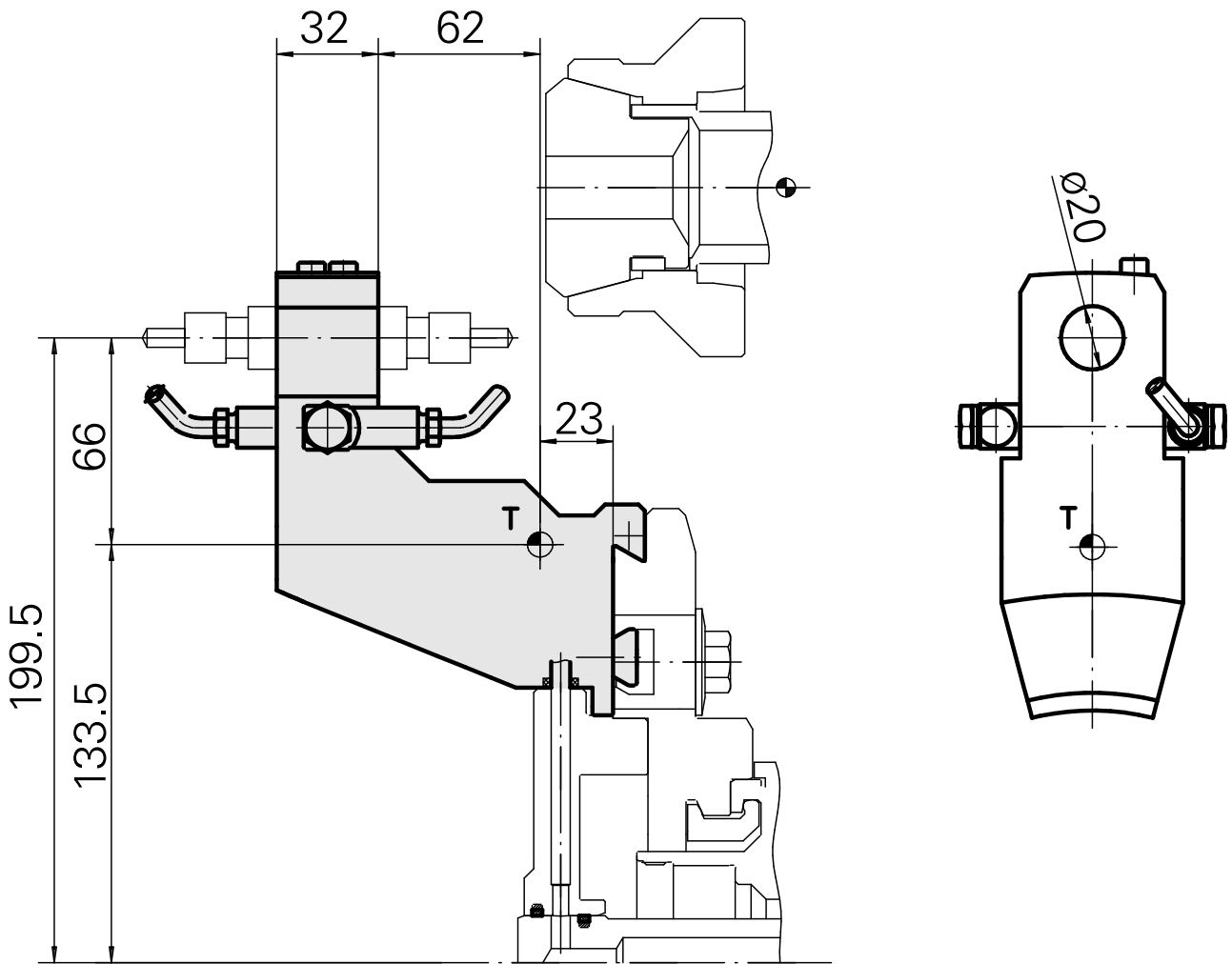
### Technical data

|                             |                          |
|-----------------------------|--------------------------|
| <b>Shank TNL</b>            | Circular prism           |
| <b>Drive</b>                | not live                 |
| <b>Fixation TNL</b>         | Central tensioning screw |
| <b>Cooling</b>              | external                 |
| <b>Pressure</b>             | 30 bar                   |
| <b>Mounting</b>             | D20                      |
| <b>INDEX TRAUB products</b> | TNK36 • TNL26            |



### Note

A collision check must be carried out before use!



10165823  
984690

**INDEX**

---

## **Documents**

No downloads available for this product