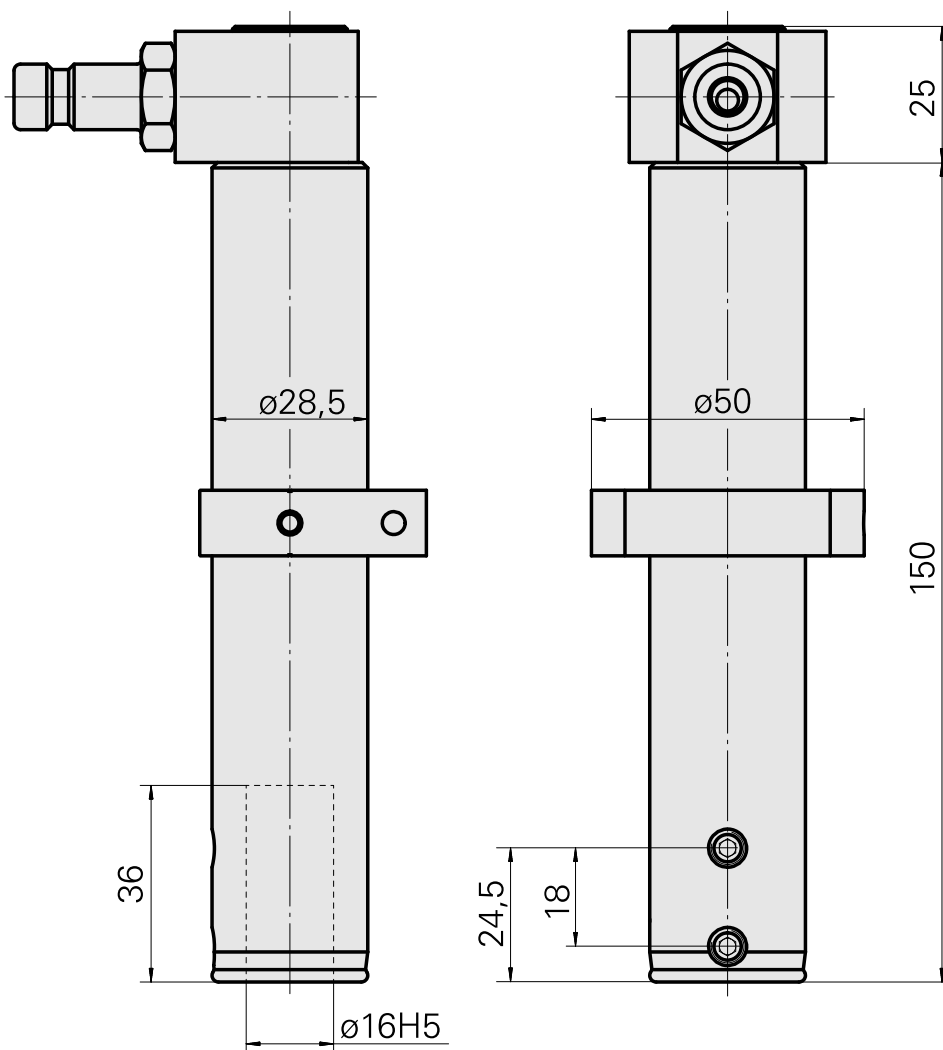
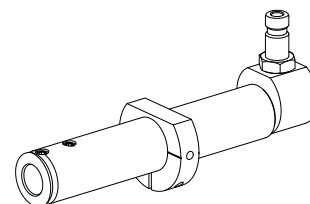


Bohrhalter D16

Technical data

Antrieb	nicht angetrieben
Fixierung MS	Klemmring D28,5
Kühlung	innen
Druck	80 bar
Aufnahme	D16
X [mm]	-
Y [mm]	-
Z [mm]	-
Produkte INDEX TRAUB	A100 • MS16-6 • MS22-6 • MS22-8 • MS24-6 • MS16-6 Plus



Documents

No downloads available for this product

Accessories

Optional accessories

Other accessories

[Mounting sleeve with collar D16](#)

Product ID : 10914323

Previous product ID : W67511.04--

[QUICK COUPLING SP-006-0-WR513-11-2 Serie LP](#)

Product ID : 10837142

Previous product ID : 474940.0112

[QUICK DISCONNECT FITTING SP-006-1-WR013-11 Serie LP](#)

Product ID : 10186287

Previous product ID : 474946.25
