

WFB 20-12 D1/4"

Technical data

TH accessories category

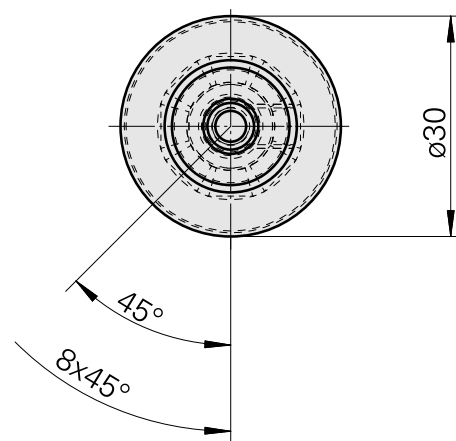
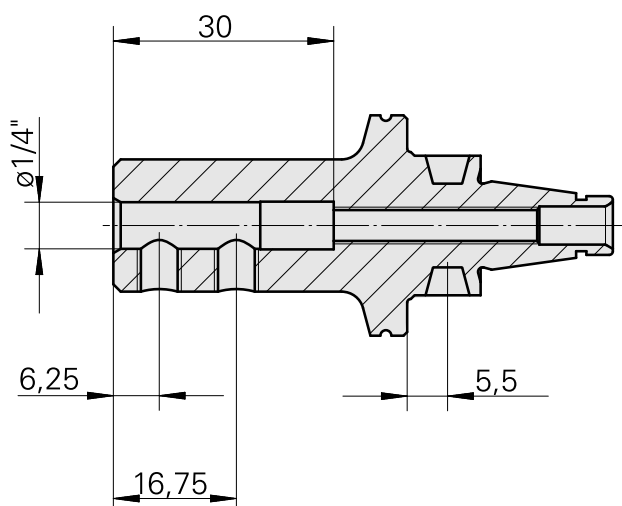
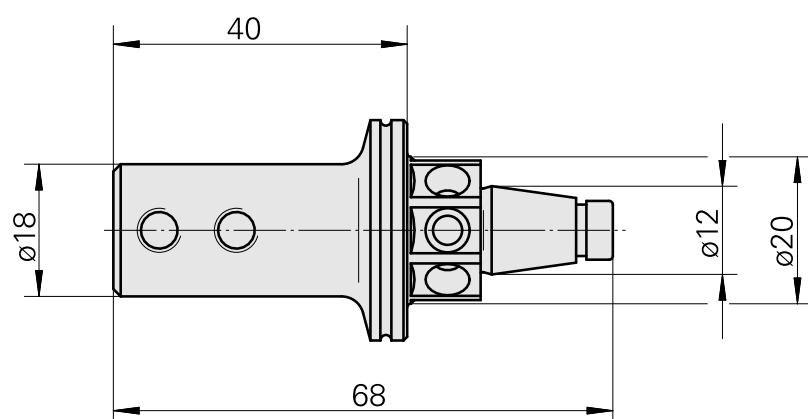
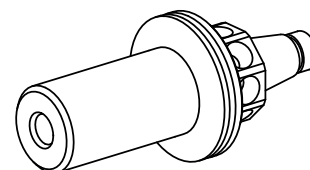
WFB 20-12

Mounting

D1/4"

Quick change inserts

Boring tool holder



Documents

No downloads available for this product

Accessories

Optional accessories

Other accessories

[Adjusting screw M 5x15](#)

Product ID : 10491071

Previous product ID : 326794

[Grub screw](#)

Product ID : 10518942

Previous product ID : 410156.0605
