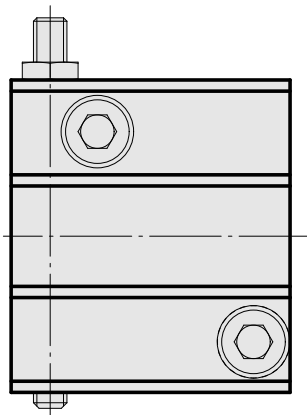
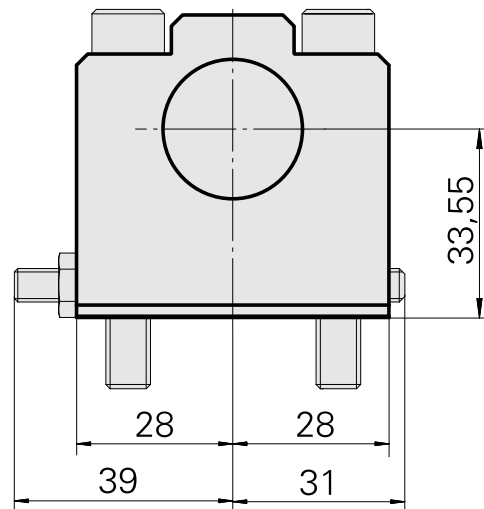
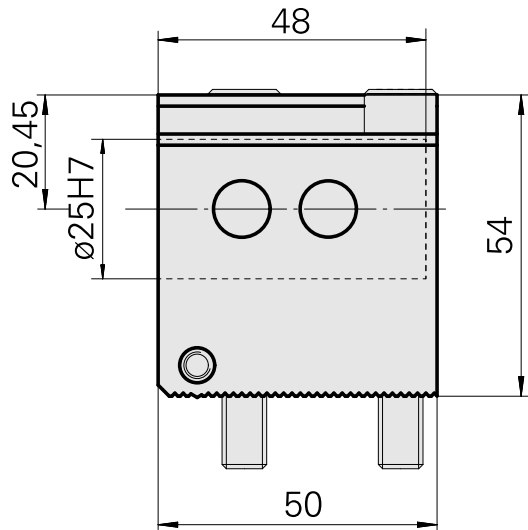
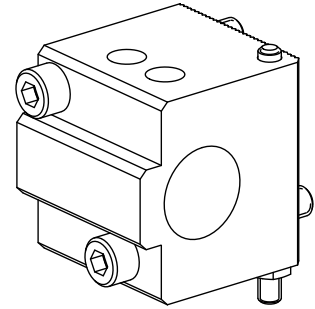


Drill holding block D25 (0.98 ")

Technical data

Drive	not live
Fixation VDI	none
Cooling	internal
Pressure	20 bar
Mounting	D25
reversible 180°	no
X [mm]	33.55 (1.32")
Y [mm]	-
Z [mm]	50 (1.97)
INDEX TRAUB products	ABC • ABC.2



Documents

No downloads available for this product

Accessories

Optional accessories

Other accessories

[Clamping sleeve D25](#)

Product ID : 10877092

Previous product ID : 993125.----
