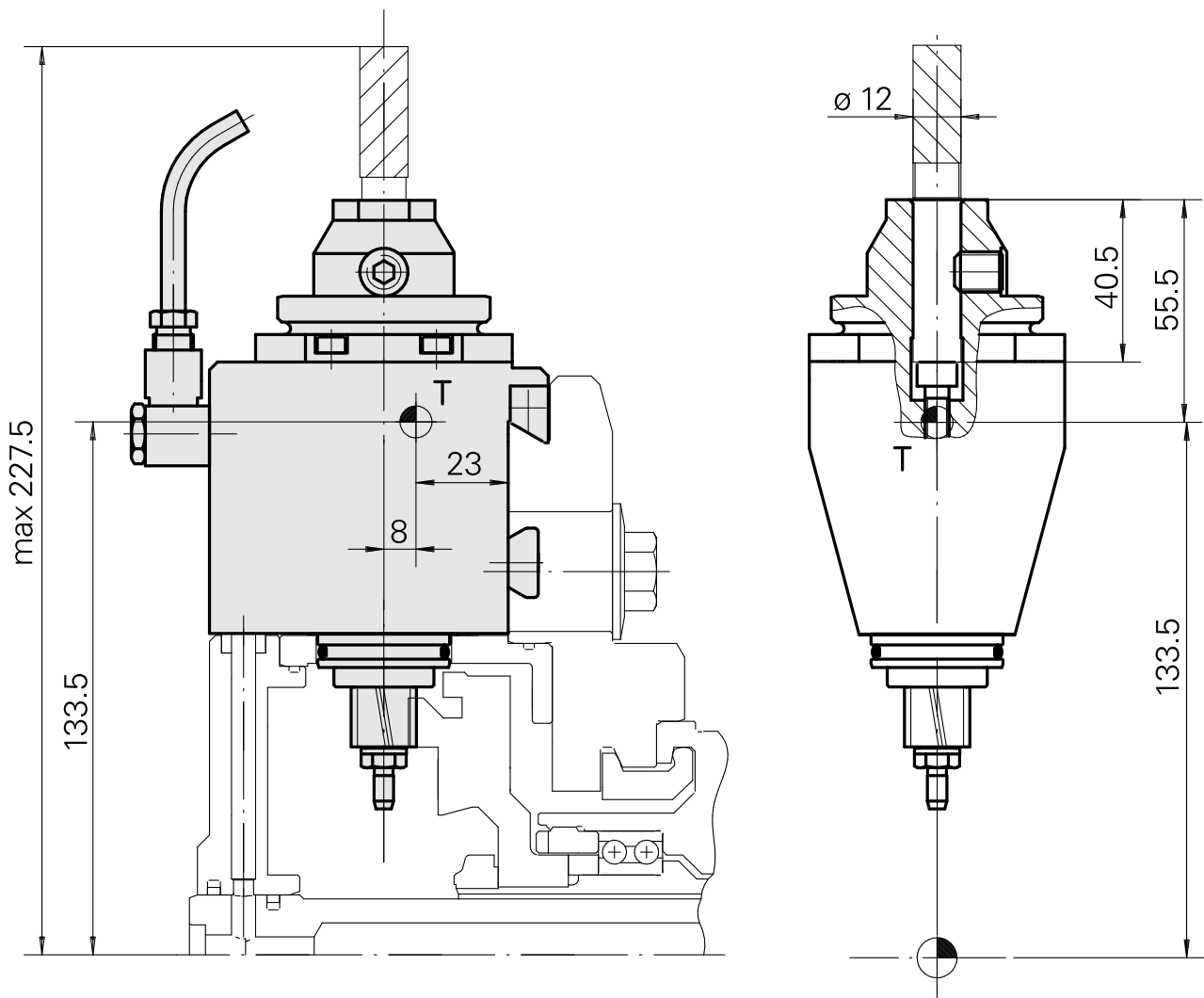


Milling unit Circular prism 1:1 DIN 1835

Technical data

| | |
|-----------------------------|--------------------------|
| Shank TNL | Circular prism |
| Drive | Overall drive |
| Fixation TNL | Central tensioning screw |
| Speed ratio | 1:1 |
| Cooling | external |
| Pressure | 30 bar |
| Mounting | D12 |
| INDEX TRAUB products | TNK36 • TNL26 |



Documents

No downloads available for this product

Accessories

Optional accessories

Other accessories

[Multiple swivel joint M10X1/M10X1/VOG / 506-140](#)

Product ID : 10829996

Previous product ID : 314431

[Conical ring 6D](#)

Product ID : 10057204

Previous product ID : 314739

[Cap screw 406-612](#)

Product ID : 10067675

Previous product ID : 314740

[Tube 100LG](#)

Product ID : 10929574

Previous product ID : 818617
