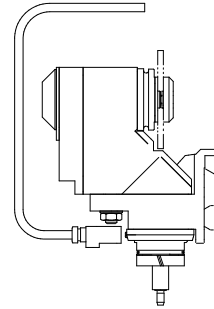

Polygon turning unit Circular prism 2:1, $\pm 15^\circ$

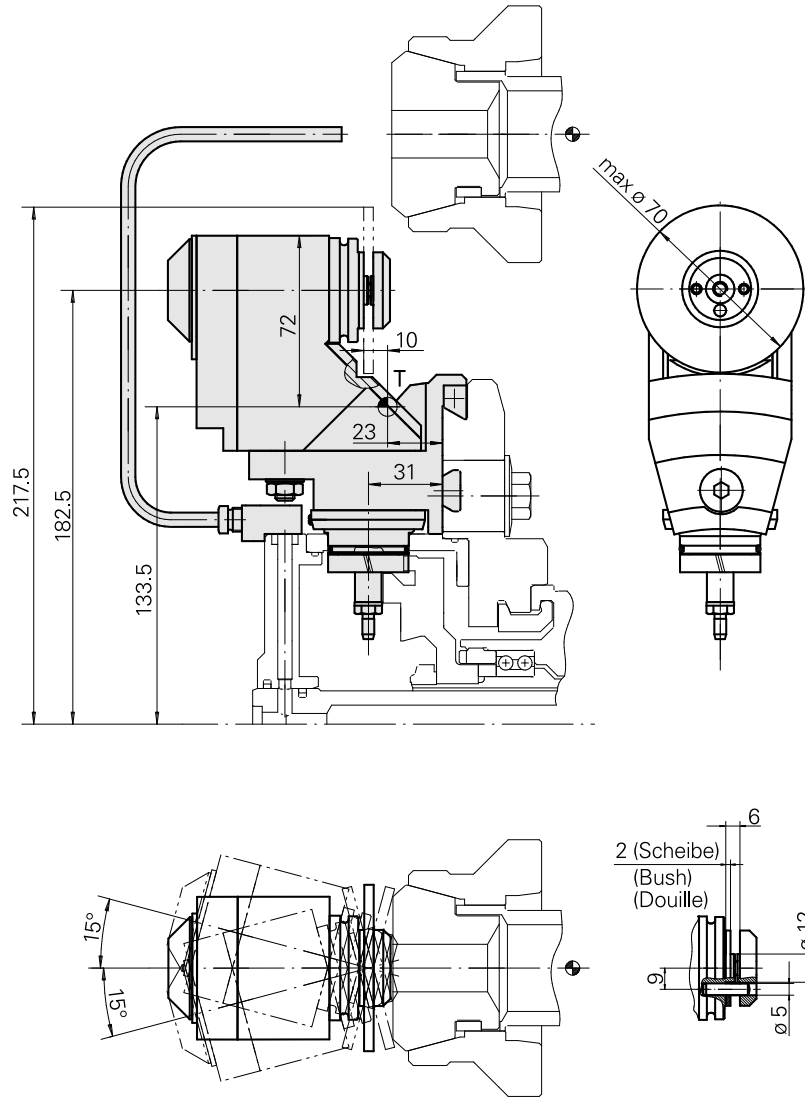
Technical data

Shank TNL	Circular prism
Drive	Overall drive
Fixation TNL	Central tensioning screw
Speed ratio	2:1
Cooling	external
Pressure	30 bar
Mounting	D12
INDEX TRAUB products	TNK36 • TNL26



Note

Can only be used on turrets with an X axis!



Documents

No downloads available for this product