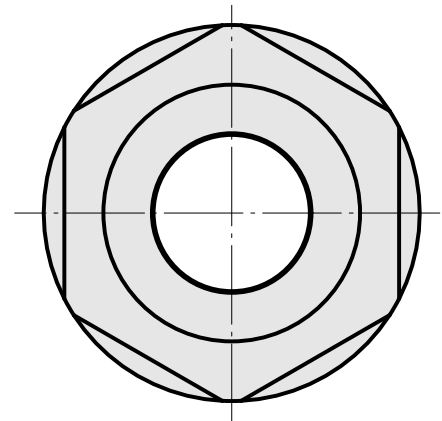
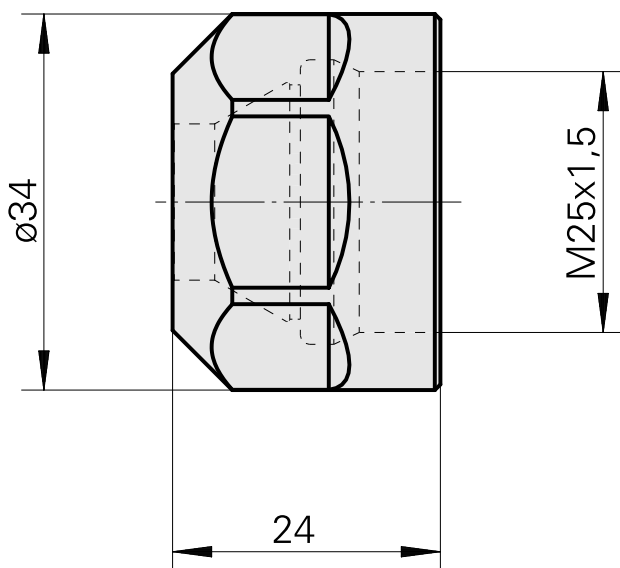
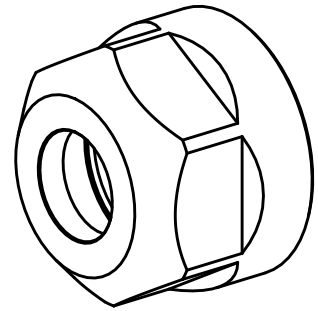


Clamping nut, for internal cooling lubricant supply

Technical data

TH accessories category	Clamping nut
Mounting	ER20
Collet type	ER 20
Clamping nut type	Female thread



Documents

No downloads available for this product