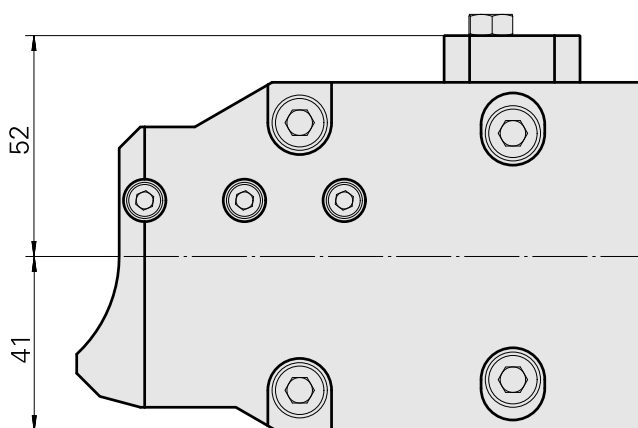
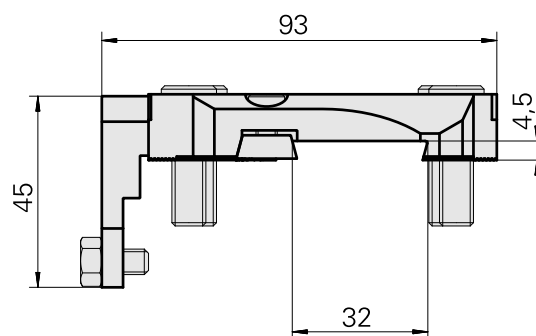
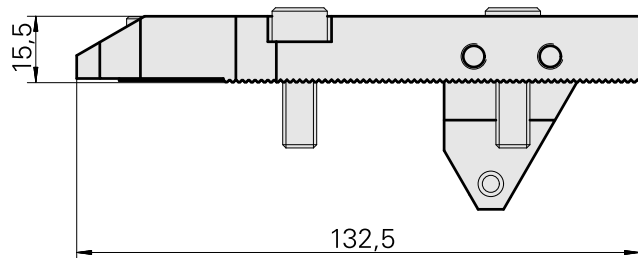
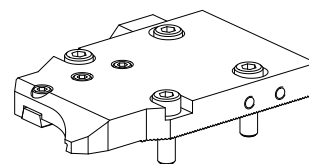


Suporte para ferramenta corte Trapezio 3

Technical data

Drive	not live
Direction	left-handed run
Mounting	Trapezoid 32x4
X [mm]	132.5 (5.22")
Y [mm]	-
Z [mm]	15.5 (0.61)
INDEX TRAUB products	MS52C • MS52-6.3



Documents

No downloads available for this product