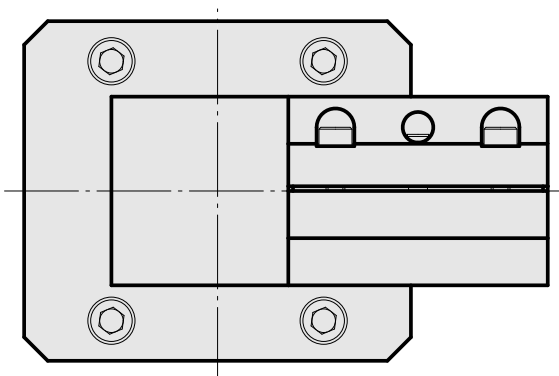
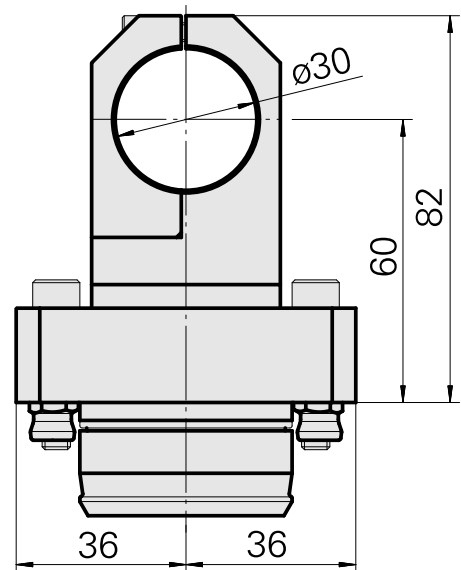
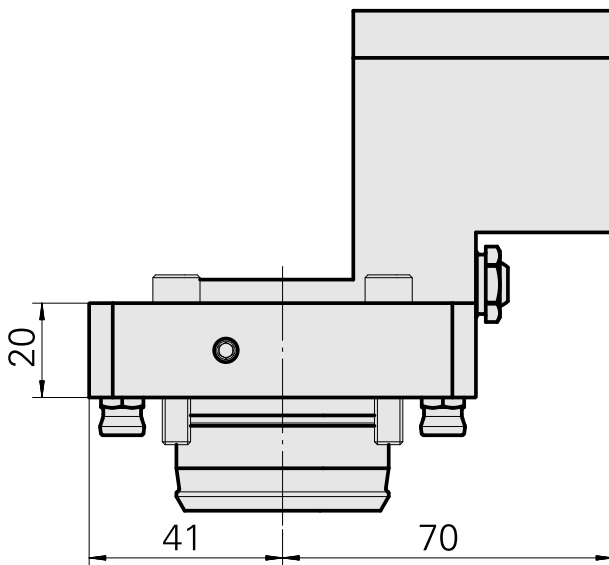
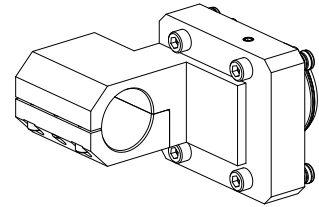


## Basic holder KPS 45 D30 (1.18 "), for the high-frequency spindle

### Technical data

<b>Shank KPS</b>	KPS 45
<b>Drive</b>	not live
<b>Cooling</b>	external
<b>Mounting</b>	D30
<b>Pressure</b>	80 bar
<b>X [mm]</b>	60 (2.36")
<b>Y [mm]</b>	–
<b>Z [mm]</b>	70 (2.76)
<b>INDEX TRAUB products</b>	TNL20 • TNL32-11 compact • TNL20-11 • TNL32 compact • TNK40.2-10 • TNL20.2 • TNK40.2



---

## Documents

No downloads available for this product

## Accessories

### Optional accessories

#### Schweiger

##### [Converter AC](#)

Product ID : 10512651

Previous product ID : 223483

Electrical assemblies Frequency converter	Length 105 Millimeter	Width 105 Millimeter	Height 229 Millimeter
Voltage 230 Volt	Frequency 50 Hertz (1/second) • 60 Hertz (1/second)	Voltage type AC~	Rated power W 250 Watt
Protection class IP40			

#### Other accessories

##### [high-frequency spindle](#)

Product ID : 11089866

Previous product ID : W9991264

---