

Saw blade, circular saw blade width 2.4 mm (0.09")

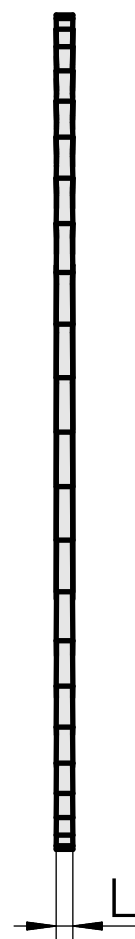
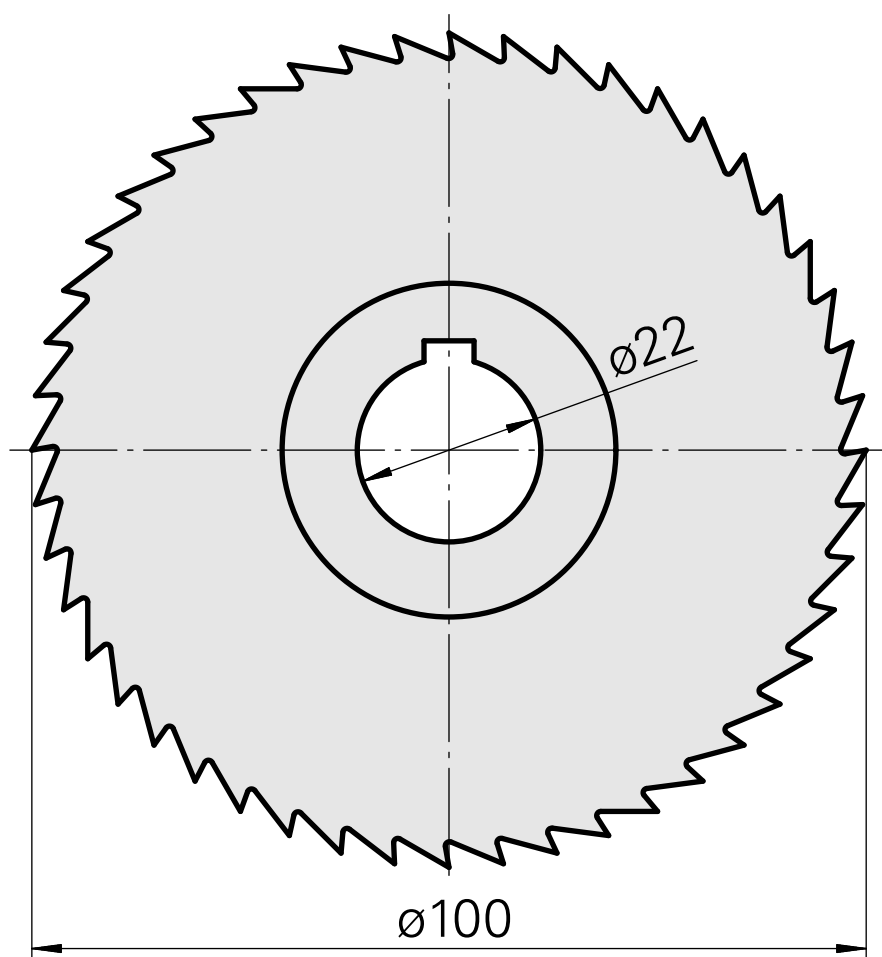
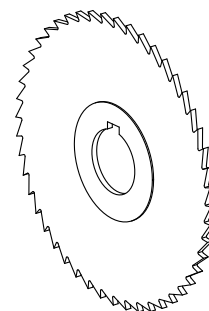
Technical data

TH accessories category

Circular saw blade d100

Tool mounting

22mm



Documents

No downloads available for this product