

Grooving tool holder MS16/MS22 Trapezoid

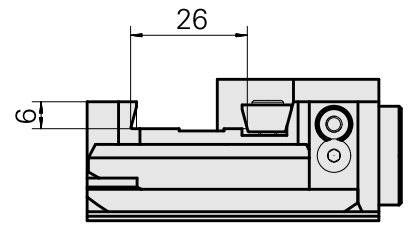
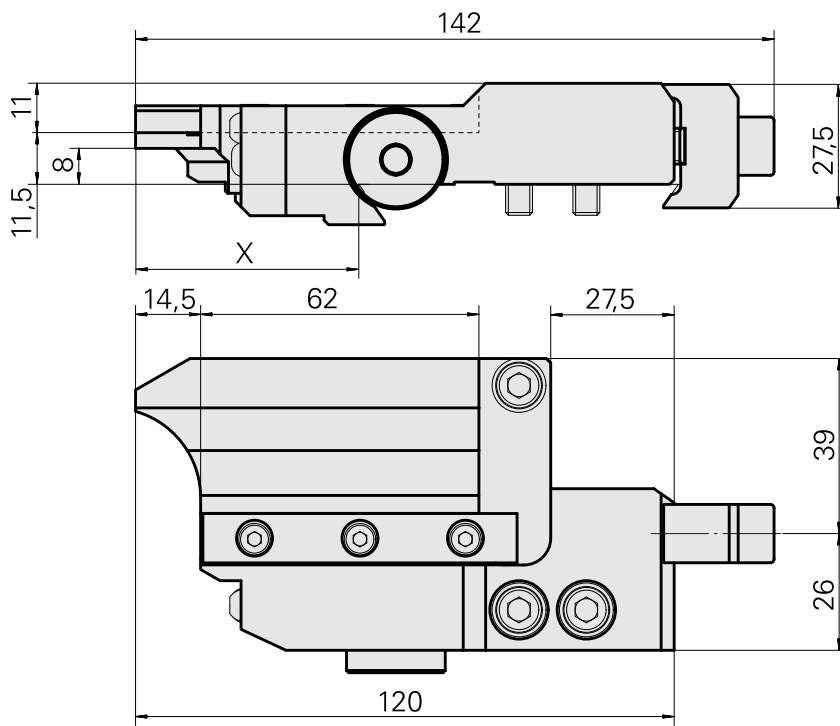
Technical data

Slide system MS	MS16/MS22
Drive	not live
Fixation MS	Dovetail
Cooling	external
Pressure	20 bar
Direction	right-handed run
Mounting	Trapezoid 26x4
X [mm]	49.7 (1.96")
Y [mm]	–
Z [mm]	11.5 (0.45)
INDEX TRAUB products	MS22-6 • MS24-6 • MS24-8



Note

When there is rear end machining with 3 fixed tool holders, mounting occurs in position 5.1!



X	49,7
---	------

Documents

No downloads available for this product

Accessories

Optional accessories

Other accessories

[Screw Nacharb. an 410620.0830](#)

Product ID : 10932780

Previous product ID : W00013.0056

[Ball nozzle 8D/M3,5](#)

Product ID : 10174644

Previous product ID : 474550.0071

[Lens head screw](#)

Product ID : 10344546

Previous product ID : 410243.0406
