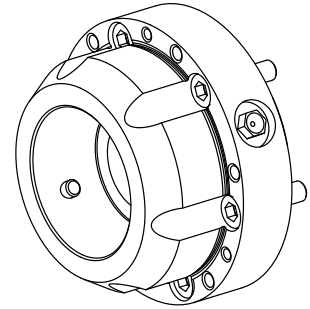


Chuck

Technical data

INDEX TRAUB products	MS16-6
Spindle clearance	16mm
Machining side	Synchronous spindle
Ext. manufact. product feature	Kombi Axfix
manufacturer product line	SPANNTOP nova chuck
Spindle mounting	AP63
Clamping device size	SK16
manufacturer product line	Hainbuch



No 3-side view is currently available for this product

Documents

No downloads available for this product

Accessories

Optional accessories

Spindle liners

[Socket head screw](#)

Product ID : 10157066

Previous product ID : 410260.0620

Other accessories

[Fixture](#)

Product ID : 10455955

Previous product ID : 900416.8151

Clamping device size SK16	manufacturer product line SPANNTOP nova chuck	Clamping method External clamping	manufacturer product line Hainbuch
------------------------------	---	--------------------------------------	--

[HAINBUCH GREASE 2085/0003](#)

Product ID : 10825733

Previous product ID : 373241.1021

manufacturer product line SPANNTOP nova chuck • SPANNTOP mini chuck • TOPlus chuck • TOPlus chuck mini • TOPlus chuck with end-stop	Clamping method External clamping	manufacturer product line Hainbuch
--	--------------------------------------	--

Other accessories

[Clamping head sk16bzigr5,0](#)

Product ID : 10875232

Previous product ID : 900416.G050

[Clamping head sk16bzigr6,0](#)

Product ID : 10252855
Previous product ID : 900416.G060

[Clamping head sk16bzigr7,0](#)

Product ID : 10469874
Previous product ID : 900416.G070

[Clamping head sk16bzigr8,0](#)

Product ID : 10841849
Previous product ID : 900416.G080

[Clamping head sk16bzigr9,0](#)

Product ID : 10984109
Previous product ID : 900416.G090

[Clamping head sk16bzigr10,0](#)

Product ID : 10051491
Previous product ID : 900416.G100

[Clamping head sk16bzigr11,0](#)

Product ID : 10776704
Previous product ID : 900416.G110

[Clamping head sk16bzigr12,0](#)

Product ID : 10033777
Previous product ID : 900416.G120

[Clamping head sk16bzigr13,0](#)

Product ID : 10080922
Previous product ID : 900416.G130

11017261
900416.8301

INDEX

[Clamping head sk16bzigr14,0](#)

Product ID : 10952679
Previous product ID : 900416.G140

[Clamping head sk16bzigr15,0](#)

Product ID : 10199552
Previous product ID : 900416.G150

[Clamping head sk16bzigr16,0](#)

Product ID : 10935656
Previous product ID : 900416.G160
