

Centering drill, 60° D16 mm (0.62") with center for hollow parts

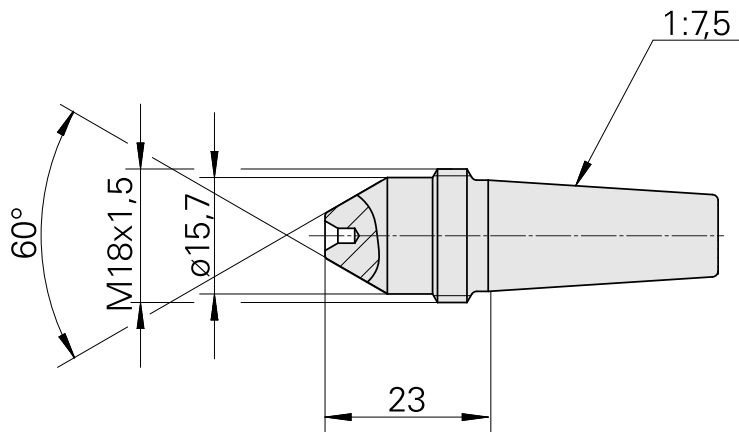
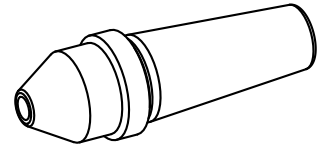
Technical data

TH accessories category

Center, universal

Mounting

D15.4/Cone 1:7.5



Documents

No downloads available for this product

Accessories

Optional accessories

Tool holder accessories

[LOCKNUT 18X1,5-70852](#)

Product ID : 10634968

Previous product ID : 415302.1815
