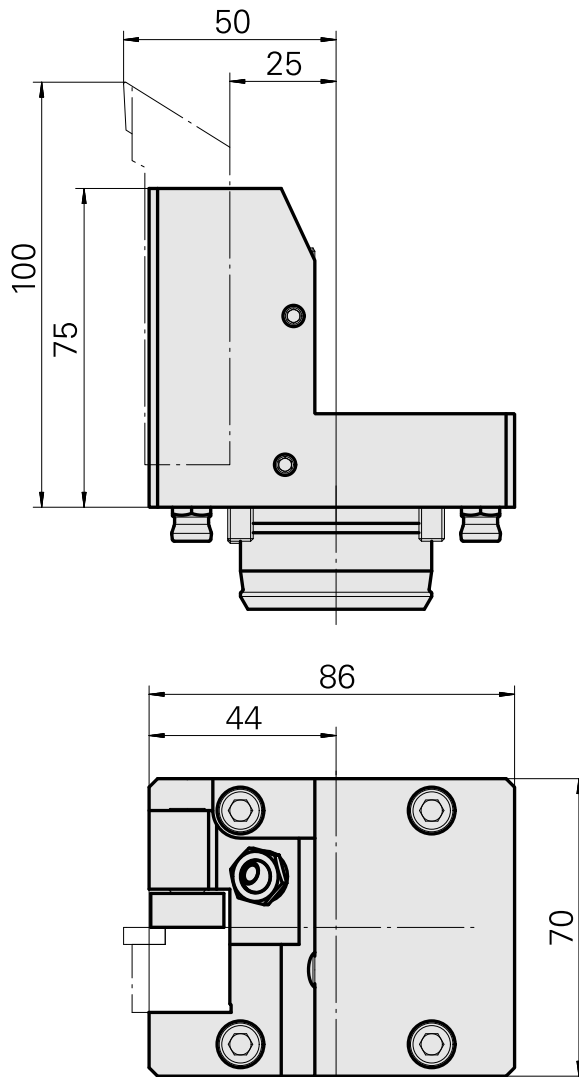
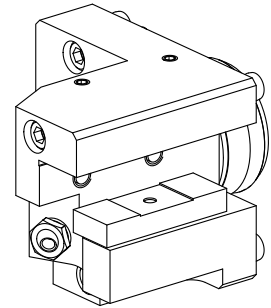


## Turning tool holder KPS 45 square 20x20, counterclockwise rotation

### Technical data

<b>Shank KPS</b>	KPS 45
<b>Drive</b>	not live
<b>Cooling</b>	external
<b>Mounting</b>	Square 20x20
<b>Pressure</b>	80 bar
<b>X [mm]</b>	75 (2.95")
<b>Y [mm]</b>	-
<b>Z [mm]</b>	25 (0.98)
<b>INDEX TRAUB products</b>	ABC65 • TNK42/65



---

## Documents

No downloads available for this product

## Accessories

### Optional accessories

#### Tool holder accessories

#### [Tube, L=100 mm \(3.93"\)](#)

Product ID : 10303677

Previous product ID : W9990910

TH accessories  
category  
Cooling lubricant tube

Mounting  
M5

#### Other accessories

#### [Bush 4x8x12](#)

Product ID : 10831938

Previous product ID : W02010.0002

---

#### [Hollow screw M12x1](#)

Product ID : 10757766

Previous product ID : W02013.0001

---

#### [Ball nozzle D8xM5](#)

Product ID : 10392450

Previous product ID : W02019.0002

---