

Clamping nut

Technical data

TH accessories category

Clamping nut

Mounting

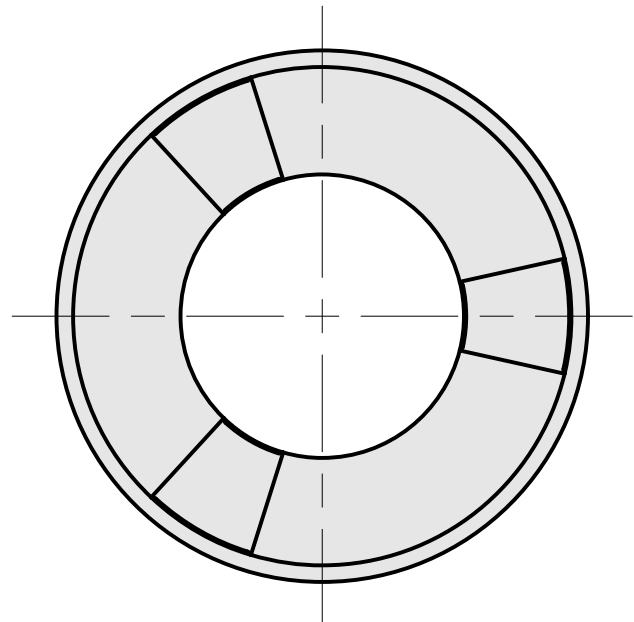
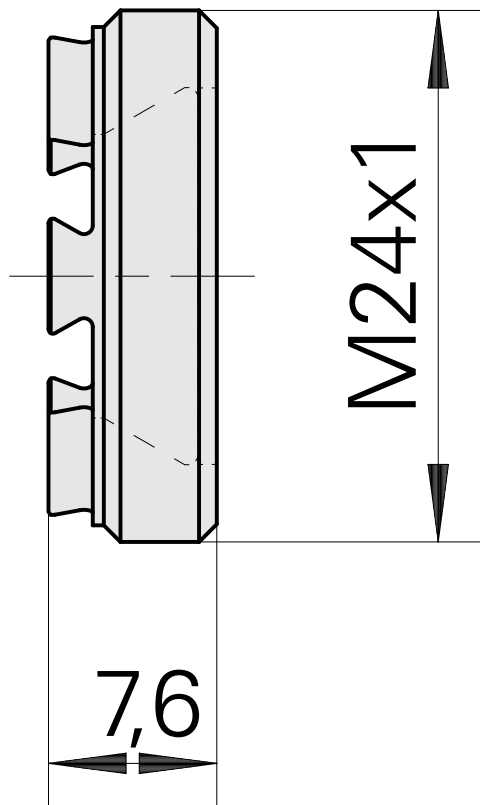
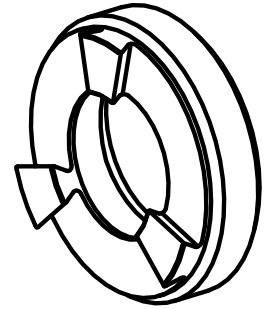
ER16

Collet type

ER 16

Clamping nut type

Male thread



10911008
901939.5161

INDEX

Documents

No downloads available for this product