

Ring, width 0.3 mm (0.011")

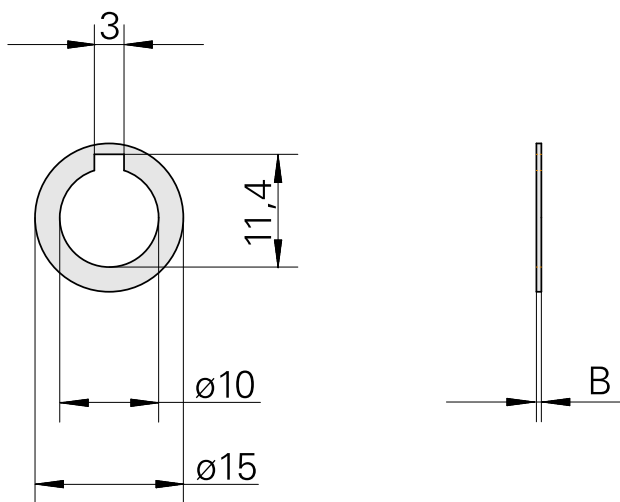
Technical data

TH accessories category

Mill arbor ring

Mounting

Milling shaft D10



10806856
981159

INDEX

Documents

No downloads available for this product