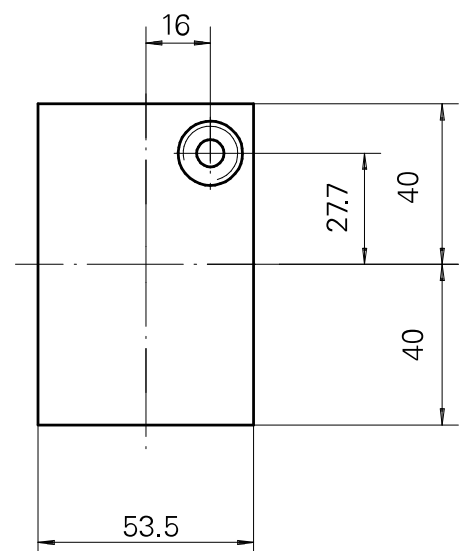
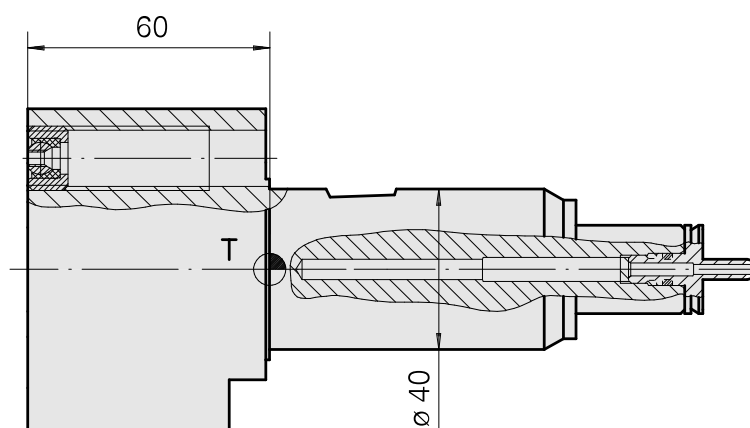
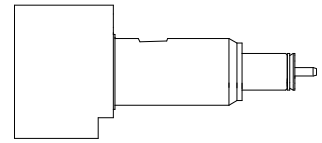


Tool holder blank Shank 40

Technical data

Shank TNL	Shank 40
Drive	not live
Cooling	internal
Pressure	120 bar
INDEX TRAUB products	TNK36 • TNL26



10802988
984536

INDEX

Documents

No downloads available for this product