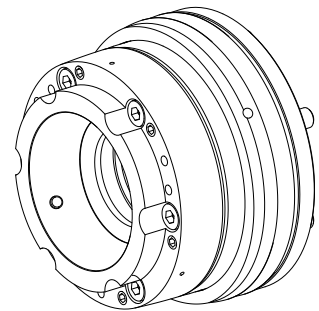


Mandril da pinça de fixação

Technical data

| | |
|---------------------------------------|------------------------------|
| Produtos INDEX TRAUB | C100 • TNK42/65 |
| Passagem do fuso | 42mm |
| Lado de usinagem | Fuso principal • Contra fuso |
| Fabricante ext.caract.produto | Kombi Axzug |
| Lin. prod. de outr. fabricant. | Mandril SPANNTOP nova |
| Dimensão disp. fixação | SK42 |
| Lin. prod. de outr. fabricant. | Hainbuch |



No 3-side view is currently available for this product

Documents

No downloads available for this product

Accessories

Optional accessories

Other accessories

[Cabecote de sujeicao SK42 D=4,0mm](#)

Product ID : 10715059

Previous product ID : 900463.4204

| | | | |
|--------------------------------------|---|--------------------------|--|
| Clamping device size SK42 | manufacturer product line SPANNTOP nova chuck | Clamping type grooved | Nominal diameter (mm) 4 Millimeter |
| Clamping method External clamping | manufacturer product line Hainbuch | | |

[Cabecote de sujeicao SK42 D=5,0mm](#)

Product ID : 10032466

Previous product ID : 900463.4205

| | | | |
|--------------------------------------|---|--------------------------|--|
| Clamping device size SK42 | manufacturer product line SPANNTOP nova chuck | Clamping type grooved | Nominal diameter (mm) 5 Millimeter |
| Clamping method External clamping | manufacturer product line Hainbuch | | |

[Cabecote de sujeicao SK42 D=7,0mm](#)

Product ID : 10264171

Previous product ID : 900463.4207

| | | | |
|--------------------------------------|---|--------------------------|--|
| Clamping device size SK42 | manufacturer product line SPANNTOP nova chuck | Clamping type grooved | Nominal diameter (mm) 7 Millimeter |
| Clamping method External clamping | manufacturer product line Hainbuch | | |

Cabecote de sujeicao SK42 D=8,0mm

Product ID : 10220135

Previous product ID : 900463.4208

| | | | |
|--------------------------------------|---|--------------------------|--|
| Clamping device size SK42 | manufacturer product line SPANNTOP nova chuck | Clamping type grooved | Nominal diameter (mm) 8 Millimeter |
| Clamping method External clamping | manufacturer product line Hainbuch | | |

Cabecote de sujeicao SK42 D=9,0mm

Product ID : 10712846

Previous product ID : 900463.4209

| | | | |
|--------------------------------------|---|--------------------------|--|
| Clamping device size SK42 | manufacturer product line SPANNTOP nova chuck | Clamping type grooved | Nominal diameter (mm) 9 Millimeter |
| Clamping method External clamping | manufacturer product line Hainbuch | | |

Cabecote de sujeicao SK42 D=10,0mm

Product ID : 10346669

Previous product ID : 900463.4210

| | | | |
|--------------------------------------|---|--------------------------|---|
| Clamping device size SK42 | manufacturer product line SPANNTOP nova chuck | Clamping type grooved | Nominal diameter (mm) 10 Millimeter |
| Clamping method External clamping | manufacturer product line Hainbuch | | |

Cabecote de sujeicao SK42 D=11,0mm

Product ID : 10501633

Previous product ID : 900463.4211

| | | | |
|--------------------------------------|---|--------------------------|---|
| Clamping device size SK42 | manufacturer product line SPANNTOP nova chuck | Clamping type grooved | Nominal diameter (mm) 11 Millimeter |
| Clamping method External clamping | manufacturer product line Hainbuch | | |

Cabecote de sujeicao SK42 D=12,0mm

Product ID : 10687981

Previous product ID : 900463.4212

| | | | |
|--------------------------------------|---|--------------------------|---|
| Clamping device size SK42 | manufacturer product line SPANNTOP nova chuck | Clamping type grooved | Nominal diameter (mm) 12 Millimeter |
| Clamping method External clamping | manufacturer product line Hainbuch | | |

Cabecote de sujeicao SK42 D=13,0mm

Product ID : 10552326

Previous product ID : 900463.4213

| | | | |
|--------------------------------------|---|--------------------------|---|
| Clamping device size SK42 | manufacturer product line SPANNTOP nova chuck | Clamping type grooved | Nominal diameter (mm) 13 Millimeter |
| Clamping method External clamping | manufacturer product line Hainbuch | | |

Cabecote de sujeicao SK42 D=14,0mm

Product ID : 10440645

Previous product ID : 900463.4214

| | | | |
|--------------------------------------|---|--------------------------|---|
| Clamping device size SK42 | manufacturer product line SPANNTOP nova chuck | Clamping type grooved | Nominal diameter (mm) 14 Millimeter |
| Clamping method External clamping | manufacturer product line Hainbuch | | |

Cabecote de sujeicao SK42 D=15,0mm

Product ID : 10166844

Previous product ID : 900463.4215

| | | | |
|--------------------------------------|---|--------------------------|---|
| Clamping device size SK42 | manufacturer product line SPANNTOP nova chuck | Clamping type grooved | Nominal diameter (mm) 15 Millimeter |
| Clamping method External clamping | manufacturer product line Hainbuch | | |

Cabecote de sujeicao SK42 D=16,0mm

Product ID : 11073118

Previous product ID : 900463.4216

| | | | |
|--------------------------------------|---|--------------------------|---|
| Clamping device size SK42 | manufacturer product line SPANNTOP nova chuck | Clamping type grooved | Nominal diameter (mm) 16 Millimeter |
| Clamping method External clamping | manufacturer product line Hainbuch | | |

Cabecote de sujeicao SK42 D=17,0mm

Product ID : 10686366

Previous product ID : 900463.4217

| | | | |
|--------------------------------------|---|--------------------------|---|
| Clamping device size SK42 | manufacturer product line SPANNTOP nova chuck | Clamping type grooved | Nominal diameter (mm) 17 Millimeter |
| Clamping method External clamping | manufacturer product line Hainbuch | | |

Cabecote de sujeicao SK42 D=18,0mm

Product ID : 10409915

Previous product ID : 900463.4218

| | | | |
|--------------------------------------|---|--------------------------|---|
| Clamping device size SK42 | manufacturer product line SPANNTOP nova chuck | Clamping type grooved | Nominal diameter (mm) 18 Millimeter |
| Clamping method External clamping | manufacturer product line Hainbuch | | |

Cabecote de sujeicao SK42 D=19,0mm

Product ID : 11056432

Previous product ID : 900463.4219

| | | | |
|--------------------------------------|---|--------------------------|---|
| Clamping device size SK42 | manufacturer product line SPANNTOP nova chuck | Clamping type grooved | Nominal diameter (mm) 19 Millimeter |
| Clamping method External clamping | manufacturer product line Hainbuch | | |

Cabecote de sujeicao SK42 D=20,0mm

Product ID : 10422880

Previous product ID : 900463.4220

| | | | |
|--------------------------------------|---|--------------------------|---|
| Clamping device size SK42 | manufacturer product line SPANNTOP nova chuck | Clamping type grooved | Nominal diameter (mm) 20 Millimeter |
| Clamping method External clamping | manufacturer product line Hainbuch | | |

Cabecote de sujeicao SK42 D=21,0mm

Product ID : 10451991

Previous product ID : 900463.4221

| | | | |
|--------------------------------------|---|--------------------------|---|
| Clamping device size SK42 | manufacturer product line SPANNTOP nova chuck | Clamping type grooved | Nominal diameter (mm) 21 Millimeter |
| Clamping method External clamping | manufacturer product line Hainbuch | | |

Cabecote de sujeicao SK42 D=22,0mm

Product ID : 10382579

Previous product ID : 900463.4222

| | | | |
|--------------------------------------|---|--------------------------|---|
| Clamping device size SK42 | manufacturer product line SPANNTOP nova chuck | Clamping type grooved | Nominal diameter (mm) 22 Millimeter |
| Clamping method External clamping | manufacturer product line Hainbuch | | |

Cabecote de sujeicao SK42 D=23,0mm

Product ID : 10431117

Previous product ID : 900463.4223

| | | | |
|--------------------------------------|---|--------------------------|---|
| Clamping device size SK42 | manufacturer product line SPANNTOP nova chuck | Clamping type grooved | Nominal diameter (mm) 23 Millimeter |
| Clamping method External clamping | manufacturer product line Hainbuch | | |

Cabecote de sujeicao SK42 D=24,0mm

Product ID : 10853339

Previous product ID : 900463.4224

| | | | |
|--------------------------------------|---|--------------------------|---|
| Clamping device size SK42 | manufacturer product line SPANNTOP nova chuck | Clamping type grooved | Nominal diameter (mm) 24 Millimeter |
| Clamping method External clamping | manufacturer product line Hainbuch | | |

Cabecote de sujeicao SK42 D=25,0mm

Product ID : 11002448

Previous product ID : 900463.4225

| | | | |
|--------------------------------------|---|--------------------------|---|
| Clamping device size SK42 | manufacturer product line SPANNTOP nova chuck | Clamping type grooved | Nominal diameter (mm) 25 Millimeter |
| Clamping method External clamping | manufacturer product line Hainbuch | | |

Fixture

Product ID : 11040206

Previous product ID : 900442.8202

| | | | |
|-------------------------------------|---|--------------------------------------|--|
| Clamping device size SK52 • SK42 | manufacturer product line SPANNTOP nova chuck • TOPlus chuck | Clamping method External clamping | manufacturer product line Hainbuch |
|-------------------------------------|---|--------------------------------------|--|

Cabecote de sujeicao SK42 D=26,0mm

Product ID : 10826373

Previous product ID : 900463.4226

| | | | |
|--------------------------------------|---|--------------------------|---|
| Clamping device size SK42 | manufacturer product line SPANNTOP nova chuck | Clamping type grooved | Nominal diameter (mm) 26 Millimeter |
| Clamping method External clamping | manufacturer product line Hainbuch | | |

Clamping head SK42 D=27,0mm

Product ID : 10147870

Previous product ID : 900463.4227

| | | | |
|--------------------------------------|---|--------------------------|---|
| Clamping device size SK42 | manufacturer product line SPANNTOP nova chuck | Clamping type grooved | Nominal diameter (mm) 27 Millimeter |
| Clamping method External clamping | manufacturer product line Hainbuch | | |

Clamping head SK42 D=28,0mm

Product ID : 11027726

Previous product ID : 900463.4228

| | | | |
|--------------------------------------|---|--------------------------|---|
| Clamping device size SK42 | manufacturer product line SPANNTOP nova chuck | Clamping type grooved | Nominal diameter (mm) 28 Millimeter |
| Clamping method External clamping | manufacturer product line Hainbuch | | |

Clamping head SK42 D=29,0mm

Product ID : 10472777

Previous product ID : 900463.4229

| | | | |
|--------------------------------------|---|--------------------------|---|
| Clamping device size SK42 | manufacturer product line SPANNTOP nova chuck | Clamping type grooved | Nominal diameter (mm) 29 Millimeter |
| Clamping method External clamping | manufacturer product line Hainbuch | | |

Clamping head SK42 D=30,0mm

Product ID : 10718531

Previous product ID : 900463.4230

| | | | |
|--------------------------------------|---|--------------------------|---|
| Clamping device size SK42 | manufacturer product line SPANNTOP nova chuck | Clamping type grooved | Nominal diameter (mm) 30 Millimeter |
| Clamping method External clamping | manufacturer product line Hainbuch | | |

Clamping head SK42 D=31,0mm

Product ID : 10080802

Previous product ID : 900463.4231

| | | | |
|--------------------------------------|---|--------------------------|---|
| Clamping device size SK42 | manufacturer product line SPANNTOP nova chuck | Clamping type grooved | Nominal diameter (mm) 31 Millimeter |
| Clamping method External clamping | manufacturer product line Hainbuch | | |

Clamping head SK42 D=32,0mm

Product ID : 10293683

Previous product ID : 900463.4232

| | | | |
|--------------------------------------|---|--------------------------|---|
| Clamping device size SK42 | manufacturer product line SPANNTOP nova chuck | Clamping type grooved | Nominal diameter (mm) 32 Millimeter |
| Clamping method External clamping | manufacturer product line Hainbuch | | |

Clamping head SK42 D=33,0mm

Product ID : 10448577

Previous product ID : 900463.4233

| | | | |
|--------------------------------------|---|--------------------------|---|
| Clamping device size SK42 | manufacturer product line SPANNTOP nova chuck | Clamping type grooved | Nominal diameter (mm) 33 Millimeter |
| Clamping method External clamping | manufacturer product line Hainbuch | | |

Clamping head SK42 D=34,0mm

Product ID : 10748218

Previous product ID : 900463.4234

| | | | |
|--------------------------------------|---|--------------------------|---|
| Clamping device size SK42 | manufacturer product line SPANNTOP nova chuck | Clamping type grooved | Nominal diameter (mm) 34 Millimeter |
| Clamping method External clamping | manufacturer product line Hainbuch | | |

Clamping head SK42 D=35,0mm

Product ID : 10587182

Previous product ID : 900463.4235

| | | | |
|--------------------------------------|---|--------------------------|---|
| Clamping device size SK42 | manufacturer product line SPANNTOP nova chuck | Clamping type grooved | Nominal diameter (mm) 35 Millimeter |
| Clamping method External clamping | manufacturer product line Hainbuch | | |

Clamping head SK42 D=36,0mm

Product ID : 10124721

Previous product ID : 900463.4236

| | | | |
|--------------------------------------|---|--------------------------|---|
| Clamping device size SK42 | manufacturer product line SPANNTOP nova chuck | Clamping type grooved | Nominal diameter (mm) 36 Millimeter |
| Clamping method External clamping | manufacturer product line Hainbuch | | |

Clamping head SK42 D=37,0mm

Product ID : 10157007

Previous product ID : 900463.4237

| | | | |
|--------------------------------------|---|--------------------------|---|
| Clamping device size SK42 | manufacturer product line SPANNTOP nova chuck | Clamping type grooved | Nominal diameter (mm) 37 Millimeter |
| Clamping method External clamping | manufacturer product line Hainbuch | | |

Clamping head SK42 D=38,0mm

Product ID : 11035530

Previous product ID : 900463.4238

| | | | |
|--------------------------------------|---|--------------------------|---|
| Clamping device size SK42 | manufacturer product line SPANNTOP nova chuck | Clamping type grooved | Nominal diameter (mm) 38 Millimeter |
| Clamping method External clamping | manufacturer product line Hainbuch | | |

Clamping head SK42 D=39,0mm

Product ID : 11035082

Previous product ID : 900463.4239

| | | | |
|--------------------------------------|---|--------------------------|---|
| Clamping device size SK42 | manufacturer product line SPANNTOP nova chuck | Clamping type grooved | Nominal diameter (mm) 39 Millimeter |
| Clamping method External clamping | manufacturer product line Hainbuch | | |

Clamping head SK42 D=40,0mm

Product ID : 10310477

Previous product ID : 900463.4240

| | | | |
|--------------------------------------|---|--------------------------|---|
| Clamping device size SK42 | manufacturer product line SPANNTOP nova chuck | Clamping type grooved | Nominal diameter (mm) 40 Millimeter |
| Clamping method External clamping | manufacturer product line Hainbuch | | |

Clamping head SK42 D=41,0mm

Product ID : 10536795

Previous product ID : 900463.4241

| | | | |
|--------------------------------------|---|--------------------------|---|
| Clamping device size SK42 | manufacturer product line SPANNTOP nova chuck | Clamping type grooved | Nominal diameter (mm) 41 Millimeter |
| Clamping method External clamping | manufacturer product line Hainbuch | | |

Clamping head SK42 D=42,0mm

Product ID : 10543216

Previous product ID : 900463.4242

| | | | |
|--------------------------------------|---|--------------------------|---|
| Clamping device size SK42 | manufacturer product line SPANNTOP nova chuck | Clamping type grooved | Nominal diameter (mm) 42 Millimeter |
| Clamping method External clamping | manufacturer product line Hainbuch | | |

Clamping head SK42 AF=12,0mm

Product ID : 10253252

Previous product ID : 900442.6120

| | | | |
|--------------------------------------|---|----------------------------------|---|
| Clamping device size SK42 | manufacturer product line SPANNTOP nova chuck | Clamping type Hexagon grooved | Nominal diameter (mm) 12 Millimeter |
| Clamping method External clamping | manufacturer product line Hainbuch | | |

Clamping head SK42 SF=14,0mm

Product ID : 10956355

Previous product ID : 900442.6140

| | | | |
|--------------------------------------|---|----------------------------------|---|
| Clamping device size SK42 | manufacturer product line SPANNTOP nova chuck | Clamping type Hexagon grooved | Nominal diameter (mm) 14 Millimeter |
| Clamping method External clamping | manufacturer product line Hainbuch | | |

Clamping head SK42 AF=15,0mm

Product ID : 10654910

Previous product ID : 900442.6150

| | | | |
|--------------------------------------|---|----------------------------------|---|
| Clamping device size SK42 | manufacturer product line SPANNTOP nova chuck | Clamping type Hexagon grooved | Nominal diameter (mm) 15 Millimeter |
| Clamping method External clamping | manufacturer product line Hainbuch | | |

Clamping head SK42 AF=20,0mm

Product ID : 10860689

Previous product ID : 900442.6200

| | | | |
|--------------------------------------|---|----------------------------------|---|
| Clamping device size SK42 | manufacturer product line SPANNTOP nova chuck | Clamping type Hexagon grooved | Nominal diameter (mm) 20 Millimeter |
| Clamping method External clamping | manufacturer product line Hainbuch | | |

Clamping head SK42 D=4,0mm

Product ID : 10494929

Previous product ID : 900442.2040

| | | | |
|--------------------------------------|---|-------------------------|--|
| Clamping device size SK42 | manufacturer product line SPANNTOP nova chuck | Clamping type smooth | Nominal diameter (mm) 4 Millimeter |
| Clamping method External clamping | manufacturer product line Hainbuch | | |

Clamping head SK42 D=4,5mm

Product ID : 10796191

Previous product ID : 900442.2045

| | | | |
|--------------------------------------|---|-------------------------|--|
| Clamping device size SK42 | manufacturer product line SPANNTOP nova chuck | Clamping type smooth | Nominal diameter (mm) 4.5 Millimeter |
| Clamping method External clamping | manufacturer product line Hainbuch | | |

Clamping head SK42 D=5,0mm

Product ID : 10781871

Previous product ID : 900442.2050

| | | | |
|--------------------------------------|---|-------------------------|--|
| Clamping device size SK42 | manufacturer product line SPANNTOP nova chuck | Clamping type smooth | Nominal diameter (mm) 5 Millimeter |
| Clamping method External clamping | manufacturer product line Hainbuch | | |

Clamping head SK42 D=5,5mm

Product ID : 11000901

Previous product ID : 900442.2055

| | | | |
|--------------------------------------|---|-------------------------|--|
| Clamping device size SK42 | manufacturer product line SPANNTOP nova chuck | Clamping type smooth | Nominal diameter (mm) 5.5 Millimeter |
| Clamping method External clamping | manufacturer product line Hainbuch | | |

Clamping head SK42 D=6,0mm

Product ID : 10488153

Previous product ID : 900442.2060

| | | | |
|--------------------------------------|---|-------------------------|--|
| Clamping device size SK42 | manufacturer product line SPANNTOP nova chuck | Clamping type smooth | Nominal diameter (mm) 6 Millimeter |
| Clamping method External clamping | manufacturer product line Hainbuch | | |

Clamping head SK42 D=6,5mm

Product ID : 10322397

Previous product ID : 900442.2065

| | | | |
|--------------------------------------|---|-------------------------|--|
| Clamping device size SK42 | manufacturer product line SPANNTOP nova chuck | Clamping type smooth | Nominal diameter (mm) 6.5 Millimeter |
| Clamping method External clamping | manufacturer product line Hainbuch | | |

Clamping head SK42 D=7,0mm

Product ID : 10393860

Previous product ID : 900442.2070

| | | | |
|--------------------------------------|---|-------------------------|--|
| Clamping device size SK42 | manufacturer product line SPANNTOP nova chuck | Clamping type smooth | Nominal diameter (mm) 7 Millimeter |
| Clamping method External clamping | manufacturer product line Hainbuch | | |

Clamping head SK42 D=7,5mm

Product ID : 10296078

Previous product ID : 900442.2075

| | | | |
|--------------------------------------|---|-------------------------|--|
| Clamping device size SK42 | manufacturer product line SPANNTOP nova chuck | Clamping type smooth | Nominal diameter (mm) 7.5 Millimeter |
| Clamping method External clamping | manufacturer product line Hainbuch | | |

Clamping head SK42 D=8,0mm

Product ID : 10369119

Previous product ID : 900442.2080

| | | | |
|--------------------------------------|---|-------------------------|--|
| Clamping device size SK42 | manufacturer product line SPANNTOP nova chuck | Clamping type smooth | Nominal diameter (mm) 8 Millimeter |
| Clamping method External clamping | manufacturer product line Hainbuch | | |

Clamping head SK42 D=8,5mm

Product ID : 10356904

Previous product ID : 900442.2085

| | | | |
|--------------------------------------|---|-------------------------|--|
| Clamping device size SK42 | manufacturer product line SPANNTOP nova chuck | Clamping type smooth | Nominal diameter (mm) 8.5 Millimeter |
| Clamping method External clamping | manufacturer product line Hainbuch | | |

Clamping head SK42 D=9,0mm

Product ID : 10454621

Previous product ID : 900442.2090

| | | | |
|--------------------------------------|---|-------------------------|--|
| Clamping device size SK42 | manufacturer product line SPANNTOP nova chuck | Clamping type smooth | Nominal diameter (mm) 9 Millimeter |
| Clamping method External clamping | manufacturer product line Hainbuch | | |

Clamping head SK42 D=9,5mm

Product ID : 10230063

Previous product ID : 900442.2095

| | | | |
|--------------------------------------|---|-------------------------|--|
| Clamping device size SK42 | manufacturer product line SPANNTOP nova chuck | Clamping type smooth | Nominal diameter (mm) 9.5 Millimeter |
| Clamping method External clamping | manufacturer product line Hainbuch | | |

Clamping head SK42 D=10,0mm

Product ID : 10230858

Previous product ID : 900442.2100

| | | | |
|--------------------------------------|---|-------------------------|---|
| Clamping device size SK42 | manufacturer product line SPANNTOP nova chuck | Clamping type smooth | Nominal diameter (mm) 10 Millimeter |
| Clamping method External clamping | manufacturer product line Hainbuch | | |

Clamping head SK42 D=10,5mm

Product ID : 10745846

Previous product ID : 900442.2105

| | | | |
|--------------------------------------|---|-------------------------|---|
| Clamping device size SK42 | manufacturer product line SPANNTOP nova chuck | Clamping type smooth | Nominal diameter (mm) 10.5 Millimeter |
| Clamping method External clamping | manufacturer product line Hainbuch | | |

Clamping head SK42 D=11,0mm

Product ID : 10322253

Previous product ID : 900442.2110

| | | | |
|--------------------------------------|---|-------------------------|---|
| Clamping device size SK42 | manufacturer product line SPANNTOP nova chuck | Clamping type smooth | Nominal diameter (mm) 11 Millimeter |
| Clamping method External clamping | manufacturer product line Hainbuch | | |

Clamping head SK42 D=11,5mm

Product ID : 11035648

Previous product ID : 900442.2115

| | | | |
|--------------------------------------|---|-------------------------|---|
| Clamping device size SK42 | manufacturer product line SPANNTOP nova chuck | Clamping type smooth | Nominal diameter (mm) 11.5 Millimeter |
| Clamping method External clamping | manufacturer product line Hainbuch | | |

Clamping head SK42 D=12,0mm

Product ID : 10736394

Previous product ID : 900442.2120

| | | | |
|--------------------------------------|---|-------------------------|---|
| Clamping device size SK42 | manufacturer product line SPANNTOP nova chuck | Clamping type smooth | Nominal diameter (mm) 12 Millimeter |
| Clamping method External clamping | manufacturer product line Hainbuch | | |

Clamping head SK42 D=12,5mm

Product ID : 10498897

Previous product ID : 900442.2125

| | | | |
|--------------------------------------|---|-------------------------|---|
| Clamping device size SK42 | manufacturer product line SPANNTOP nova chuck | Clamping type smooth | Nominal diameter (mm) 12.5 Millimeter |
| Clamping method External clamping | manufacturer product line Hainbuch | | |

Clamping head SK42 D=13,0mm

Product ID : 10408305

Previous product ID : 900442.2130

| | | | |
|--------------------------------------|---|-------------------------|---|
| Clamping device size SK42 | manufacturer product line SPANNTOP nova chuck | Clamping type smooth | Nominal diameter (mm) 13 Millimeter |
| Clamping method External clamping | manufacturer product line Hainbuch | | |

Clamping head SK42 D=13,5mm

Product ID : 10076036

Previous product ID : 900442.2135

| | | | |
|--------------------------------------|---|-------------------------|---|
| Clamping device size SK42 | manufacturer product line SPANNTOP nova chuck | Clamping type smooth | Nominal diameter (mm) 13.5 Millimeter |
| Clamping method External clamping | manufacturer product line Hainbuch | | |

Clamping head SK42 D=14,0mm

Product ID : 10131582

Previous product ID : 900442.2140

| | | | |
|--------------------------------------|---|-------------------------|---|
| Clamping device size SK42 | manufacturer product line SPANNTOP nova chuck | Clamping type smooth | Nominal diameter (mm) 14 Millimeter |
| Clamping method External clamping | manufacturer product line Hainbuch | | |

Clamping head SK42 D=14,5mm

Product ID : 10192317

Previous product ID : 900442.2145

| | | | |
|--------------------------------------|---|-------------------------|---|
| Clamping device size SK42 | manufacturer product line SPANNTOP nova chuck | Clamping type smooth | Nominal diameter (mm) 14.5 Millimeter |
| Clamping method External clamping | manufacturer product line Hainbuch | | |

Clamping head SK42 D=15,0mm

Product ID : 10536653

Previous product ID : 900442.2150

| | | | |
|--------------------------------------|---|-------------------------|---|
| Clamping device size SK42 | manufacturer product line SPANNTOP nova chuck | Clamping type smooth | Nominal diameter (mm) 15 Millimeter |
| Clamping method External clamping | manufacturer product line Hainbuch | | |

Clamping head SK42 D=15,5mm

Product ID : 10378122

Previous product ID : 900442.2155

| | | | |
|--------------------------------------|---|-------------------------|---|
| Clamping device size SK42 | manufacturer product line SPANNTOP nova chuck | Clamping type smooth | Nominal diameter (mm) 15.5 Millimeter |
| Clamping method External clamping | manufacturer product line Hainbuch | | |

Clamping head SK42 D=16,0mm

Product ID : 10571339

Previous product ID : 900442.2160

| | | | |
|--------------------------------------|---|-------------------------|---|
| Clamping device size SK42 | manufacturer product line SPANNTOP nova chuck | Clamping type smooth | Nominal diameter (mm) 16 Millimeter |
| Clamping method External clamping | manufacturer product line Hainbuch | | |

Clamping head SK42 D=16,5mm

Product ID : 10233116

Previous product ID : 900442.2165

| | | | |
|--------------------------------------|---|-------------------------|---|
| Clamping device size SK42 | manufacturer product line SPANNTOP nova chuck | Clamping type smooth | Nominal diameter (mm) 16.5 Millimeter |
| Clamping method External clamping | manufacturer product line Hainbuch | | |

Clamping head SK42 D=17,0mm

Product ID : 10866883

Previous product ID : 900442.2170

| | | | |
|--------------------------------------|---|-------------------------|---|
| Clamping device size SK42 | manufacturer product line SPANNTOP nova chuck | Clamping type smooth | Nominal diameter (mm) 17 Millimeter |
| Clamping method External clamping | manufacturer product line Hainbuch | | |

Clamping head SK42 D=17,5mm

Product ID : 10982914

Previous product ID : 900442.2175

| | | | |
|--------------------------------------|---|-------------------------|---|
| Clamping device size SK42 | manufacturer product line SPANNTOP nova chuck | Clamping type smooth | Nominal diameter (mm) 17.5 Millimeter |
| Clamping method External clamping | manufacturer product line Hainbuch | | |

Clamping head SK42 D=18,0mm

Product ID : 10890180

Previous product ID : 900442.2180

| | | | |
|--------------------------------------|---|-------------------------|---|
| Clamping device size SK42 | manufacturer product line SPANNTOP nova chuck | Clamping type smooth | Nominal diameter (mm) 18 Millimeter |
| Clamping method External clamping | manufacturer product line Hainbuch | | |

Clamping head SK42 D=18,5mm

Product ID : 10377553

Previous product ID : 900442.2185

| | | | |
|--------------------------------------|---|-------------------------|---|
| Clamping device size SK42 | manufacturer product line SPANNTOP nova chuck | Clamping type smooth | Nominal diameter (mm) 18.5 Millimeter |
| Clamping method External clamping | manufacturer product line Hainbuch | | |

Clamping head SK42 D=19,0mm

Product ID : 10572905

Previous product ID : 900442.2190

| | | | |
|--------------------------------------|---|-------------------------|---|
| Clamping device size SK42 | manufacturer product line SPANNTOP nova chuck | Clamping type smooth | Nominal diameter (mm) 19 Millimeter |
| Clamping method External clamping | manufacturer product line Hainbuch | | |

Clamping head SK42 D=19,5mm

Product ID : 10795440

Previous product ID : 900442.2195

| | | | |
|--------------------------------------|---|-------------------------|---|
| Clamping device size SK42 | manufacturer product line SPANNTOP nova chuck | Clamping type smooth | Nominal diameter (mm) 19.5 Millimeter |
| Clamping method External clamping | manufacturer product line Hainbuch | | |

Clamping head SK42 D=20,0mm

Product ID : 10420365

Previous product ID : 900442.2200

| | | | |
|--------------------------------------|---|-------------------------|---|
| Clamping device size SK42 | manufacturer product line SPANNTOP nova chuck | Clamping type smooth | Nominal diameter (mm) 20 Millimeter |
| Clamping method External clamping | manufacturer product line Hainbuch | | |

Clamping head SK42 D=20,5mm

Product ID : 10760363

Previous product ID : 900442.2205

| | | | |
|--------------------------------------|---|-------------------------|---|
| Clamping device size SK42 | manufacturer product line SPANNTOP nova chuck | Clamping type smooth | Nominal diameter (mm) 20.5 Millimeter |
| Clamping method External clamping | manufacturer product line Hainbuch | | |

Clamping head SK42 D=21,0mm

Product ID : 10111086

Previous product ID : 900442.2210

| | | | |
|--------------------------------------|---|-------------------------|---|
| Clamping device size SK42 | manufacturer product line SPANNTOP nova chuck | Clamping type smooth | Nominal diameter (mm) 21 Millimeter |
| Clamping method External clamping | manufacturer product line Hainbuch | | |

Clamping head SK42 D=21,5mm

Product ID : 10655843

Previous product ID : 900442.2215

| | | | |
|--------------------------------------|---|-------------------------|---|
| Clamping device size SK42 | manufacturer product line SPANNTOP nova chuck | Clamping type smooth | Nominal diameter (mm) 21.5 Millimeter |
| Clamping method External clamping | manufacturer product line Hainbuch | | |

Clamping head SK42 D=22,0mm

Product ID : 11031353

Previous product ID : 900442.2220

| | | | |
|--------------------------------------|---|-------------------------|---|
| Clamping device size SK42 | manufacturer product line SPANNTOP nova chuck | Clamping type smooth | Nominal diameter (mm) 22 Millimeter |
| Clamping method External clamping | manufacturer product line Hainbuch | | |

Clamping head SK42 D=22,5mm

Product ID : 10709151

Previous product ID : 900442.2225

| | | | |
|--------------------------------------|---|-------------------------|---|
| Clamping device size SK42 | manufacturer product line SPANNTOP nova chuck | Clamping type smooth | Nominal diameter (mm) 22.5 Millimeter |
| Clamping method External clamping | manufacturer product line Hainbuch | | |

Clamping head SK42 D=23,0mm

Product ID : 10250684

Previous product ID : 900442.2230

| | | | |
|--------------------------------------|---|-------------------------|---|
| Clamping device size SK42 | manufacturer product line SPANNTOP nova chuck | Clamping type smooth | Nominal diameter (mm) 23 Millimeter |
| Clamping method External clamping | manufacturer product line Hainbuch | | |

Clamping head SK42 D=23,5mm

Product ID : 10070177

Previous product ID : 900442.2235

| | | | |
|--------------------------------------|---|-------------------------|---|
| Clamping device size SK42 | manufacturer product line SPANNTOP nova chuck | Clamping type smooth | Nominal diameter (mm) 23.5 Millimeter |
| Clamping method External clamping | manufacturer product line Hainbuch | | |

Clamping head SK42 D=24,0mm

Product ID : 10485798

Previous product ID : 900442.2240

| | | | |
|--------------------------------------|---|-------------------------|---|
| Clamping device size SK42 | manufacturer product line SPANNTOP nova chuck | Clamping type smooth | Nominal diameter (mm) 24 Millimeter |
| Clamping method External clamping | manufacturer product line Hainbuch | | |

Clamping head SK42 D=24,5mm

Product ID : 10932475

Previous product ID : 900442.2245

| | | | |
|--------------------------------------|---|-------------------------|---|
| Clamping device size SK42 | manufacturer product line SPANNTOP nova chuck | Clamping type smooth | Nominal diameter (mm) 24.5 Millimeter |
| Clamping method External clamping | manufacturer product line Hainbuch | | |

Clamping head SK42 D=25,0mm

Product ID : 10372554

Previous product ID : 900442.2250

| | | | |
|--------------------------------------|---|-------------------------|---|
| Clamping device size SK42 | manufacturer product line SPANNTOP nova chuck | Clamping type smooth | Nominal diameter (mm) 25 Millimeter |
| Clamping method External clamping | manufacturer product line Hainbuch | | |

Clamping head SK42 D=25,5mm

Product ID : 10019804

Previous product ID : 900442.2255

| | | | |
|--------------------------------------|---|-------------------------|---|
| Clamping device size SK42 | manufacturer product line SPANNTOP nova chuck | Clamping type smooth | Nominal diameter (mm) 25.5 Millimeter |
| Clamping method External clamping | manufacturer product line Hainbuch | | |

Clamping head SK42 D=26,0mm

Product ID : 10109755

Previous product ID : 900442.2260

| | | | |
|--------------------------------------|---|-------------------------|---|
| Clamping device size SK42 | manufacturer product line SPANNTOP nova chuck | Clamping type smooth | Nominal diameter (mm) 26 Millimeter |
| Clamping method External clamping | manufacturer product line Hainbuch | | |

Clamping head SK42 D=26,5mm

Product ID : 10949113

Previous product ID : 900442.2265

| | | | |
|--------------------------------------|---|-------------------------|---|
| Clamping device size SK42 | manufacturer product line SPANNTOP nova chuck | Clamping type smooth | Nominal diameter (mm) 26.5 Millimeter |
| Clamping method External clamping | manufacturer product line Hainbuch | | |

Clamping head SK42 D=27,0mm

Product ID : 10953062

Previous product ID : 900442.2270

| | | | |
|--------------------------------------|---|-------------------------|---|
| Clamping device size SK42 | manufacturer product line SPANNTOP nova chuck | Clamping type smooth | Nominal diameter (mm) 27 Millimeter |
| Clamping method External clamping | manufacturer product line Hainbuch | | |

Clamping head SK42 D=27,5mm

Product ID : 10570512

Previous product ID : 900442.2275

| | | | |
|--------------------------------------|---|-------------------------|---|
| Clamping device size SK42 | manufacturer product line SPANNTOP nova chuck | Clamping type smooth | Nominal diameter (mm) 27.5 Millimeter |
| Clamping method External clamping | manufacturer product line Hainbuch | | |

Clamping head SK42 D=28,0mm

Product ID : 10480401

Previous product ID : 900442.2280

| | | | |
|--------------------------------------|---|-------------------------|---|
| Clamping device size SK42 | manufacturer product line SPANNTOP nova chuck | Clamping type smooth | Nominal diameter (mm) 28 Millimeter |
| Clamping method External clamping | manufacturer product line Hainbuch | | |

Clamping head SK42 D=28,5mm

Product ID : 10948921

Previous product ID : 900442.2285

| | | | |
|--------------------------------------|---|-------------------------|---|
| Clamping device size SK42 | manufacturer product line SPANNTOP nova chuck | Clamping type smooth | Nominal diameter (mm) 28.5 Millimeter |
| Clamping method External clamping | manufacturer product line Hainbuch | | |

Clamping head SK42 D=29,0mm

Product ID : 10862117

Previous product ID : 900442.2290

| | | | |
|--------------------------------------|---|-------------------------|---|
| Clamping device size SK42 | manufacturer product line SPANNTOP nova chuck | Clamping type smooth | Nominal diameter (mm) 29 Millimeter |
| Clamping method External clamping | manufacturer product line Hainbuch | | |

Clamping head SK42 D=29,5mm

Product ID : 10821012

Previous product ID : 900442.2295

| | | | |
|--------------------------------------|---|-------------------------|---|
| Clamping device size SK42 | manufacturer product line SPANNTOP nova chuck | Clamping type smooth | Nominal diameter (mm) 29.5 Millimeter |
| Clamping method External clamping | manufacturer product line Hainbuch | | |

Clamping head SK42 D=30,0mm

Product ID : 10375567

Previous product ID : 900442.2300

| | | | |
|--------------------------------------|---|-------------------------|---|
| Clamping device size SK42 | manufacturer product line SPANNTOP nova chuck | Clamping type smooth | Nominal diameter (mm) 30 Millimeter |
| Clamping method External clamping | manufacturer product line Hainbuch | | |

Clamping head SK42 D=30,5mm

Product ID : 10440711

Previous product ID : 900442.2305

| | | | |
|--------------------------------------|---|-------------------------|---|
| Clamping device size SK42 | manufacturer product line SPANNTOP nova chuck | Clamping type smooth | Nominal diameter (mm) 30.5 Millimeter |
| Clamping method External clamping | manufacturer product line Hainbuch | | |

Clamping head SK42 D=31,0mm

Product ID : 10960636

Previous product ID : 900442.2310

| | | | |
|--------------------------------------|---|-------------------------|---|
| Clamping device size SK42 | manufacturer product line SPANNTOP nova chuck | Clamping type smooth | Nominal diameter (mm) 31 Millimeter |
| Clamping method External clamping | manufacturer product line Hainbuch | | |

Clamping head SK42 D=31,5mm

Product ID : 11066158

Previous product ID : 900442.2315

| | | | |
|--------------------------------------|---|-------------------------|---|
| Clamping device size SK42 | manufacturer product line SPANNTOP nova chuck | Clamping type smooth | Nominal diameter (mm) 31.5 Millimeter |
| Clamping method External clamping | manufacturer product line Hainbuch | | |

Clamping head SK42 D=32,0mm

Product ID : 11029011

Previous product ID : 900442.2320

| | | | |
|--------------------------------------|---|-------------------------|---|
| Clamping device size SK42 | manufacturer product line SPANNTOP nova chuck | Clamping type smooth | Nominal diameter (mm) 32 Millimeter |
| Clamping method External clamping | manufacturer product line Hainbuch | | |

Clamping head SK42 D=32,5mm

Product ID : 10570825

Previous product ID : 900442.2325

| | | | |
|--------------------------------------|---|-------------------------|---|
| Clamping device size SK42 | manufacturer product line SPANNTOP nova chuck | Clamping type smooth | Nominal diameter (mm) 32.5 Millimeter |
| Clamping method External clamping | manufacturer product line Hainbuch | | |

Clamping head SK42 D=33,0mm

Product ID : 10906540

Previous product ID : 900442.2330

| | | | |
|--------------------------------------|---|-------------------------|---|
| Clamping device size SK42 | manufacturer product line SPANNTOP nova chuck | Clamping type smooth | Nominal diameter (mm) 33 Millimeter |
| Clamping method External clamping | manufacturer product line Hainbuch | | |

Clamping head SK42 D=33,5mm

Product ID : 10301000

Previous product ID : 900442.2335

| | | | |
|--------------------------------------|---|-------------------------|---|
| Clamping device size SK42 | manufacturer product line SPANNTOP nova chuck | Clamping type smooth | Nominal diameter (mm) 33.5 Millimeter |
| Clamping method External clamping | manufacturer product line Hainbuch | | |

Clamping head SK42 D=34,0mm

Product ID : 10701239

Previous product ID : 900442.2340

| | | | |
|--------------------------------------|---|-------------------------|---|
| Clamping device size SK42 | manufacturer product line SPANNTOP nova chuck | Clamping type smooth | Nominal diameter (mm) 34 Millimeter |
| Clamping method External clamping | manufacturer product line Hainbuch | | |

Clamping head SK42 D=34,5mm

Product ID : 10966823

Previous product ID : 900442.2345

| | | | |
|--------------------------------------|---|-------------------------|---|
| Clamping device size SK42 | manufacturer product line SPANNTOP nova chuck | Clamping type smooth | Nominal diameter (mm) 34.5 Millimeter |
| Clamping method External clamping | manufacturer product line Hainbuch | | |

Clamping head SK42 D=35,0mm

Product ID : 10013826

Previous product ID : 900442.2350

| | | | |
|--------------------------------------|---|-------------------------|---|
| Clamping device size SK42 | manufacturer product line SPANNTOP nova chuck | Clamping type smooth | Nominal diameter (mm) 35 Millimeter |
| Clamping method External clamping | manufacturer product line Hainbuch | | |

Clamping head SK42 D=35,5mm

Product ID : 10790633

Previous product ID : 900442.2355

| | | | |
|--------------------------------------|---|-------------------------|---|
| Clamping device size SK42 | manufacturer product line SPANNTOP nova chuck | Clamping type smooth | Nominal diameter (mm) 35.5 Millimeter |
| Clamping method External clamping | manufacturer product line Hainbuch | | |

Clamping head SK42 D=36,0mm

Product ID : 10039790

Previous product ID : 900442.2360

| | | | |
|--------------------------------------|---|-------------------------|---|
| Clamping device size SK42 | manufacturer product line SPANNTOP nova chuck | Clamping type smooth | Nominal diameter (mm) 36 Millimeter |
| Clamping method External clamping | manufacturer product line Hainbuch | | |

Clamping head SK42 D=36,5mm

Product ID : 10566161

Previous product ID : 900442.2365

| | | | |
|--------------------------------------|---|-------------------------|---|
| Clamping device size SK42 | manufacturer product line SPANNTOP nova chuck | Clamping type smooth | Nominal diameter (mm) 36.5 Millimeter |
| Clamping method External clamping | manufacturer product line Hainbuch | | |

Clamping head SK42 D=37,0mm

Product ID : 10885831

Previous product ID : 900442.2370

| | | | |
|--------------------------------------|---|-------------------------|---|
| Clamping device size SK42 | manufacturer product line SPANNTOP nova chuck | Clamping type smooth | Nominal diameter (mm) 37 Millimeter |
| Clamping method External clamping | manufacturer product line Hainbuch | | |

Clamping head SK42 D=37,5mm

Product ID : 10184814

Previous product ID : 900442.2375

| | | | |
|--------------------------------------|---|-------------------------|---|
| Clamping device size SK42 | manufacturer product line SPANNTOP nova chuck | Clamping type smooth | Nominal diameter (mm) 37.5 Millimeter |
| Clamping method External clamping | manufacturer product line Hainbuch | | |

Clamping head SK42 D=38,0mm

Product ID : 10376236

Previous product ID : 900442.2380

| | | | |
|--------------------------------------|---|-------------------------|---|
| Clamping device size SK42 | manufacturer product line SPANNTOP nova chuck | Clamping type smooth | Nominal diameter (mm) 38 Millimeter |
| Clamping method External clamping | manufacturer product line Hainbuch | | |

Clamping head SK42 D=39,0mm

Product ID : 10028555

Previous product ID : 900442.2390

| | | | |
|--------------------------------------|---|-------------------------|---|
| Clamping device size SK42 | manufacturer product line SPANNTOP nova chuck | Clamping type smooth | Nominal diameter (mm) 39 Millimeter |
| Clamping method External clamping | manufacturer product line Hainbuch | | |

Clamping head SK42 D=39,5mm

Product ID : 10144098

Previous product ID : 900442.2395

| | | | |
|--------------------------------------|---|-------------------------|---|
| Clamping device size SK42 | manufacturer product line SPANNTOP nova chuck | Clamping type smooth | Nominal diameter (mm) 39.5 Millimeter |
| Clamping method External clamping | manufacturer product line Hainbuch | | |

Clamping head SK42 D=40,0mm

Product ID : 10353788

Previous product ID : 900442.2400

| | | | |
|--------------------------------------|---|-------------------------|---|
| Clamping device size SK42 | manufacturer product line SPANNTOP nova chuck | Clamping type smooth | Nominal diameter (mm) 40 Millimeter |
| Clamping method External clamping | manufacturer product line Hainbuch | | |

Clamping head SK42 D=40,5mm

Product ID : 10782188

Previous product ID : 900442.2405

| | | | |
|--------------------------------------|---|-------------------------|---|
| Clamping device size SK42 | manufacturer product line SPANNTOP nova chuck | Clamping type smooth | Nominal diameter (mm) 40.5 Millimeter |
| Clamping method External clamping | manufacturer product line Hainbuch | | |

Clamping head SK42 D=41,0mm

Product ID : 10095931

Previous product ID : 900442.2410

| | | | |
|--------------------------------------|---|-------------------------|---|
| Clamping device size SK42 | manufacturer product line SPANNTOP nova chuck | Clamping type smooth | Nominal diameter (mm) 41 Millimeter |
| Clamping method External clamping | manufacturer product line Hainbuch | | |

Clamping head SK42 D=41,5mm

Product ID : 10241699

Previous product ID : 900442.2415

| | | | |
|--------------------------------------|---|-------------------------|---|
| Clamping device size SK42 | manufacturer product line SPANNTOP nova chuck | Clamping type smooth | Nominal diameter (mm) 41.5 Millimeter |
| Clamping method External clamping | manufacturer product line Hainbuch | | |

Clamping head SK42 D=42,0mm

Product ID : 10064622

Previous product ID : 900442.2420

| | | | |
|--------------------------------------|---|-------------------------|---|
| Clamping device size SK42 | manufacturer product line SPANNTOP nova chuck | Clamping type smooth | Nominal diameter (mm) 42 Millimeter |
| Clamping method External clamping | manufacturer product line Hainbuch | | |

Clamping head SK42 D=8,0mm

Product ID : 10104931

Previous product ID : 900442.3080

| | | | |
|--------------------------------------|---|---|--|
| Clamping device size SK42 | manufacturer product line SPANNTOP nova chuck | Clamping type Soft for custom boring | Nominal diameter (mm) 8 Millimeter |
| Clamping method External clamping | manufacturer product line Hainbuch | | |

Clamping head SK42 D=15,0mm

Product ID : 10651407

Previous product ID : 900442.3150

| | | | |
|--------------------------------------|---|---|---|
| Clamping device size SK42 | manufacturer product line SPANNTOP nova chuck | Clamping type Soft for custom boring | Nominal diameter (mm) 15 Millimeter |
| Clamping method External clamping | manufacturer product line Hainbuch | | |

Clamping head SK42 D=30,0mm

Product ID : 10726684

Previous product ID : 900442.3300

| | | | |
|--------------------------------------|---|---|---|
| Clamping device size SK42 | manufacturer product line SPANNTOP nova chuck | Clamping type Soft for custom boring | Nominal diameter (mm) 30 Millimeter |
| Clamping method External clamping | manufacturer product line Hainbuch | | |

Clamping head SK42 square=20,0mm

Product ID : 10455885

Previous product ID : 900442.4200

| | | | |
|--------------------------------------|---|---------------------------------|---|
| Clamping device size SK42 | manufacturer product line SPANNTOP nova chuck | Clamping type Square grooved | Nominal diameter (mm) 20 Millimeter |
| Clamping method External clamping | manufacturer product line Hainbuch | | |

Fixture

Product ID : 10056854

Previous product ID : 900442.8211

manufacturer product
line
SPANNTOP nova chuck
• SPANNTOP mini
chuck

Clamping method
External clamping

manufacturer product
line
Hainbuch

HAINBUCH GREASE 2085/0003

Product ID : 10825733

Previous product ID : 373241.1021

manufacturer product
line
SPANNTOP nova chuck
• SPANNTOP mini
chuck • TOPlus chuck
• TOPlus chuck mini
• TOPlus chuck with
end-stop

Clamping method
External clamping

manufacturer product
line
Hainbuch