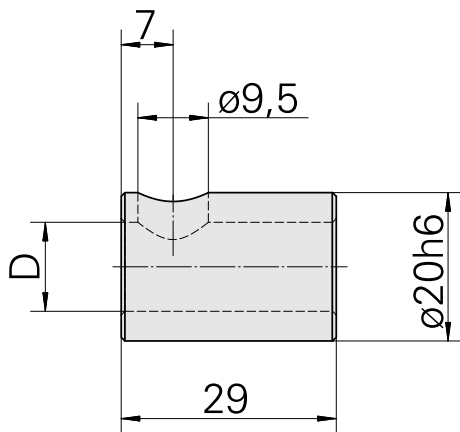


Clamping sleeve D20/ 10mm

Technical data

TH accessories category	Clamping sleeve
Mounting	D20
Tool mounting	10mm



10583994
W95280.1155

INDEX

Documents

No downloads available for this product