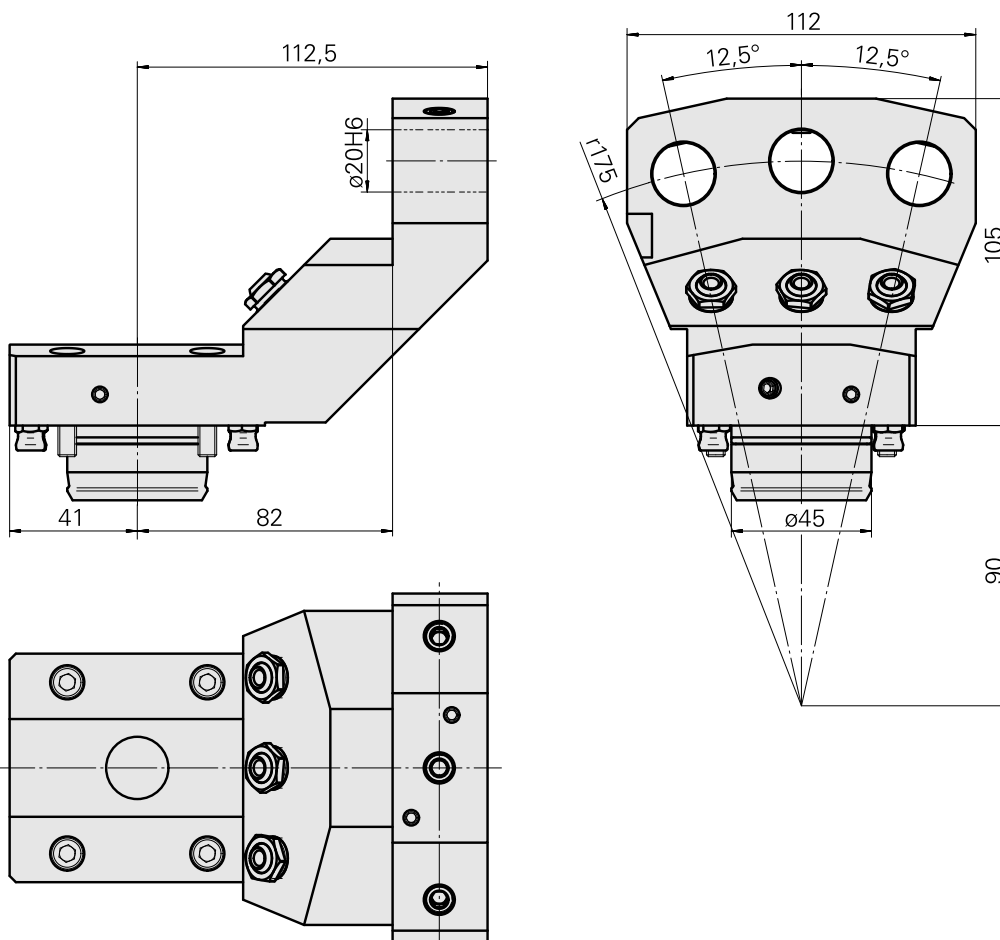
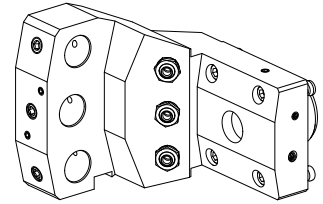


Suporte básico KPS 45 D20, triplo

Technical data

Shank KPS	KPS 45
Drive	not live
Cooling	external and internal
Mounting	D20
Pressure	120 bar
X [mm]	85 (3.35")
Y [mm]	±12.5°
Z [mm]	-82 (-3.23)
INDEX TRAUB products	TNL18 • TNL20 • TNL32-11 compact • TNL20-11 • TNL32 compact • TNK40.2-10 • TNL20.2 • TNK40.2



Documents

Product notes

[FR \(pdf\)](#)

[DE \(pdf\)](#)

[EN \(pdf\)](#)

Accessories

Optional accessories

Tool holders with compact shank

[Mount ER16](#)

Product ID : 10350291

Previous product ID : W9991140

Drive not live	Cooling internal	Mounting ER16	Pressure 80 bar
X [mm] -	Y [mm] -	Z [mm] -	INDEX TRAUB products TNL18 • TNL20 • TNL32-11 • TNL32 • TNL32-11 compact • TNL20-11 • TNL32 compact • TNK40.2-10 • TNL20.2 • TNK40.2

[Mount WFB 20-12](#)

Product ID : 10286381

Previous product ID : W9991139

Drive not live	Cooling internal	Mounting WFB 20-12	Pressure 80 bar
X [mm] -	Y [mm] -	Z [mm] -	INDEX TRAUB products TNL18 • TNL20 • TNL32-11 • TNL32 • TNL32-11 compact • TNL20-11 • TNL32 compact • TNK40.2-10 • TNL20.2 • TNK40.2

Tool holder accessories

[Center holder, spring-loaded, D15.14 mm \(0.59"\)/taper 1:7.5](#)

Product ID : 11097039

Previous product ID : W9991302

TH accessories
category
Center holder

Mounting
D20

Tool mounting
Taper 1:7,5

Other accessories

[Coolant Nozzle](#)

Product ID : 11031912

Previous product ID : W67500.3208

[HOLLOW SCREW M14x1 M14x1](#)

Product ID : 10105238

Previous product ID : W67530.0818

[BUSHING 10 D x 6 D x 12,5](#)

Product ID : 10670360

Previous product ID : W67530.0824

[Grub screw M10x1x11](#)

Product ID : 10165359

Previous product ID : 326057
