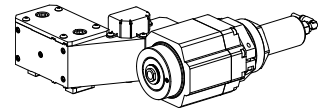

Center holder MS16 grooving slide D11.2/, elastic, live

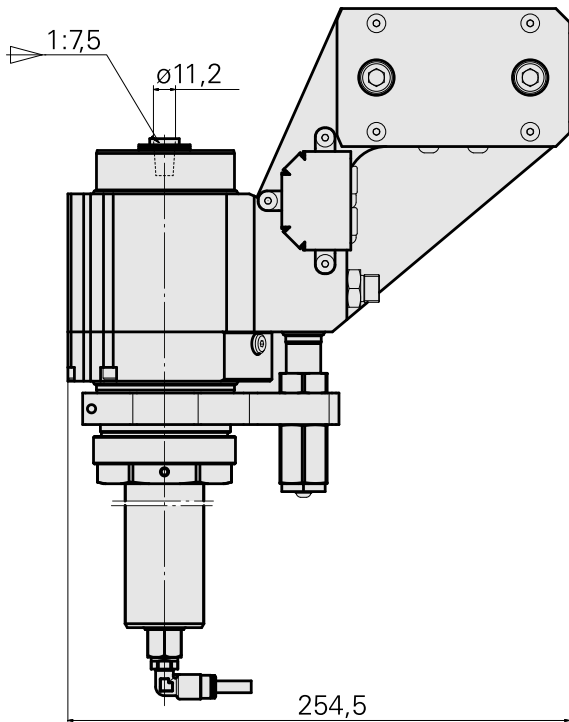
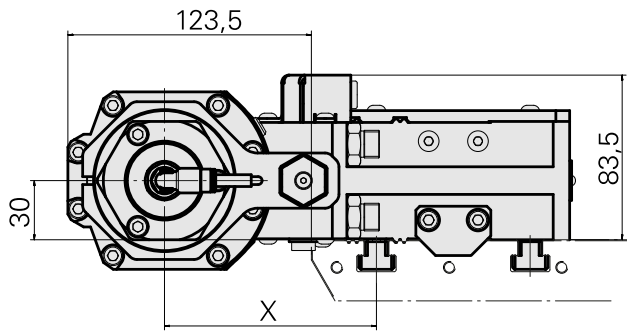
Technical data



Slide system MS	MS16 grooving slide
Drive	not live
Fixation MS	W serration
Mounting	D11.2/Cone 1:7.5
X [mm]	–
Y [mm]	–
Z [mm]	–
INDEX TRAUB products	MS16-6 • MS16-6 Plus

Note

Spring travel 2.1 mm, Yellow ring 0 - 1000 N, Red ring 1000 - 2300 N



X	107,5
---	-------

Documents

No downloads available for this product

Accessories

Optional accessories

Other accessories

[Center Kegel 1:7.5](#)

Product ID : 10112982

Previous product ID : W94280.23--
