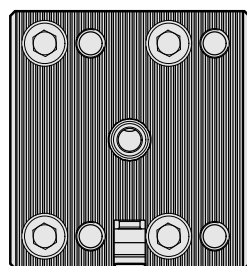
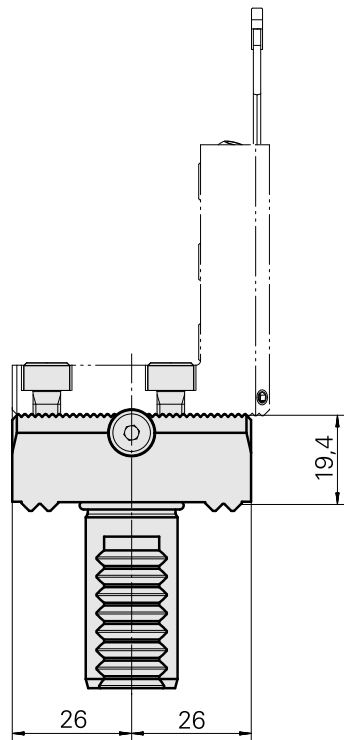
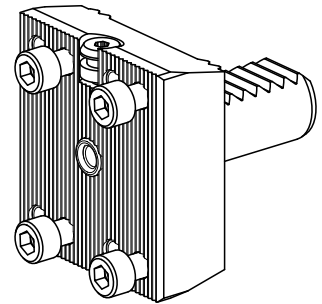


基本刀架 VDI 20, 垂直可调

Technical data

刀柄VDI	VDI 20
驱动装置	非动力式
固定装置VDI	W形齿
压力	80 bar
可翻转 180°	否
X [mm]	19,4
Y [mm]	-
Z [mm]	-
INDEX TRAUB产品	C100



Documents

No downloads available for this product

Accessories

Optional accessories

Tool holders with VDI shank

[Grooving tool holding block Trapezoid 26, vertically adjustable](#)

Product ID : 10379601

Previous product ID : W9990003

Drive not live	Cooling external	Pressure 20 bar	Mounting Trapezoid 26x4
X [mm] 59 (2.32")	Y [mm] –	Z [mm] 18.5 (0.73)	INDEX TRAUB products C100

[Grooving tool holding block Trapezoid 26, vertically adjustable](#)

Product ID : 10976276

Previous product ID : W9990004

Drive not live	Cooling external	Pressure 20 bar	Mounting Trapezoid 26x4
X [mm] 59 (2.32")	Y [mm] –	Z [mm] 18.5 (0.73)	INDEX TRAUB products C100