

WFB 32-20 D10

Technical data

TH accessories category

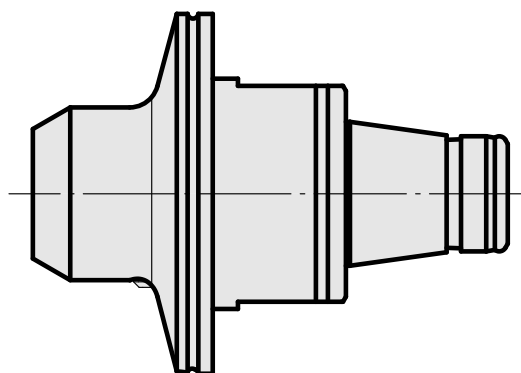
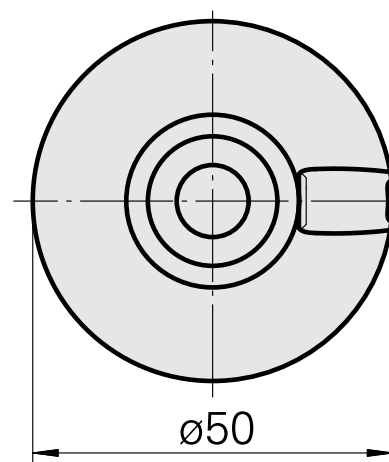
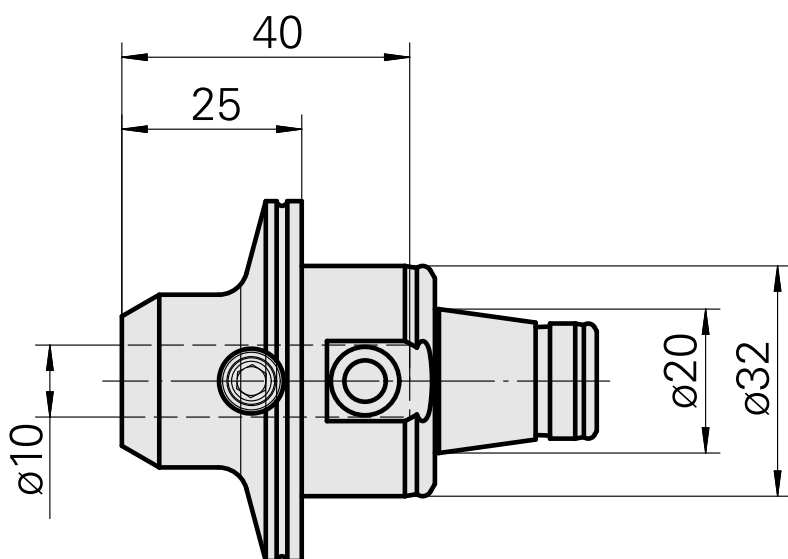
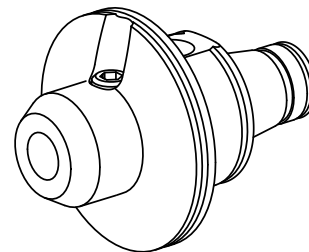
WFB 32-20

Mounting

D10

Quick change inserts

Weldon mounting



10452865
836272

INDEX

Documents

No downloads available for this product