

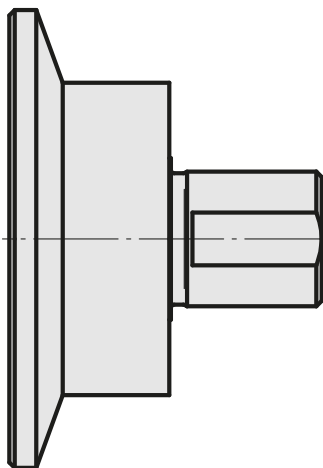
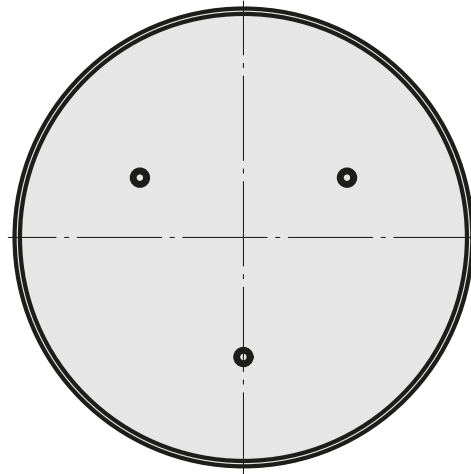
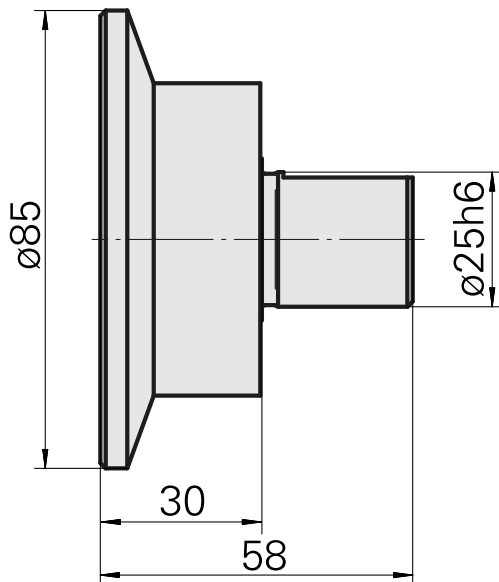
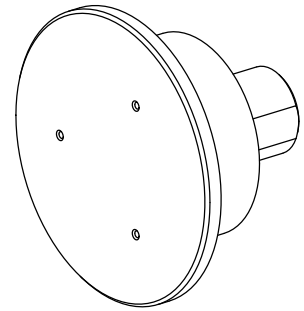
Bar stop D85 (3.35 "), live

Technical data

Drive	not live
Mounting	D85
X [mm]	-
Y [mm]	-
Z [mm]	30 (1.18)

INDEX TRAUB products

C42/65 • G160 • ABC • B400 • C100
• C200 • G200 • G200.2 • G220 •
G250 • TNX65/42 • TNA400.2 •
B500 • TNA500.2 • G420 • G400.2
• G500 • G520 • ABC.2 • G300.2
• G320.2 • B400.3 • B500.3 •
TNA400.3 • TNA500.3



Documents

No downloads available for this product