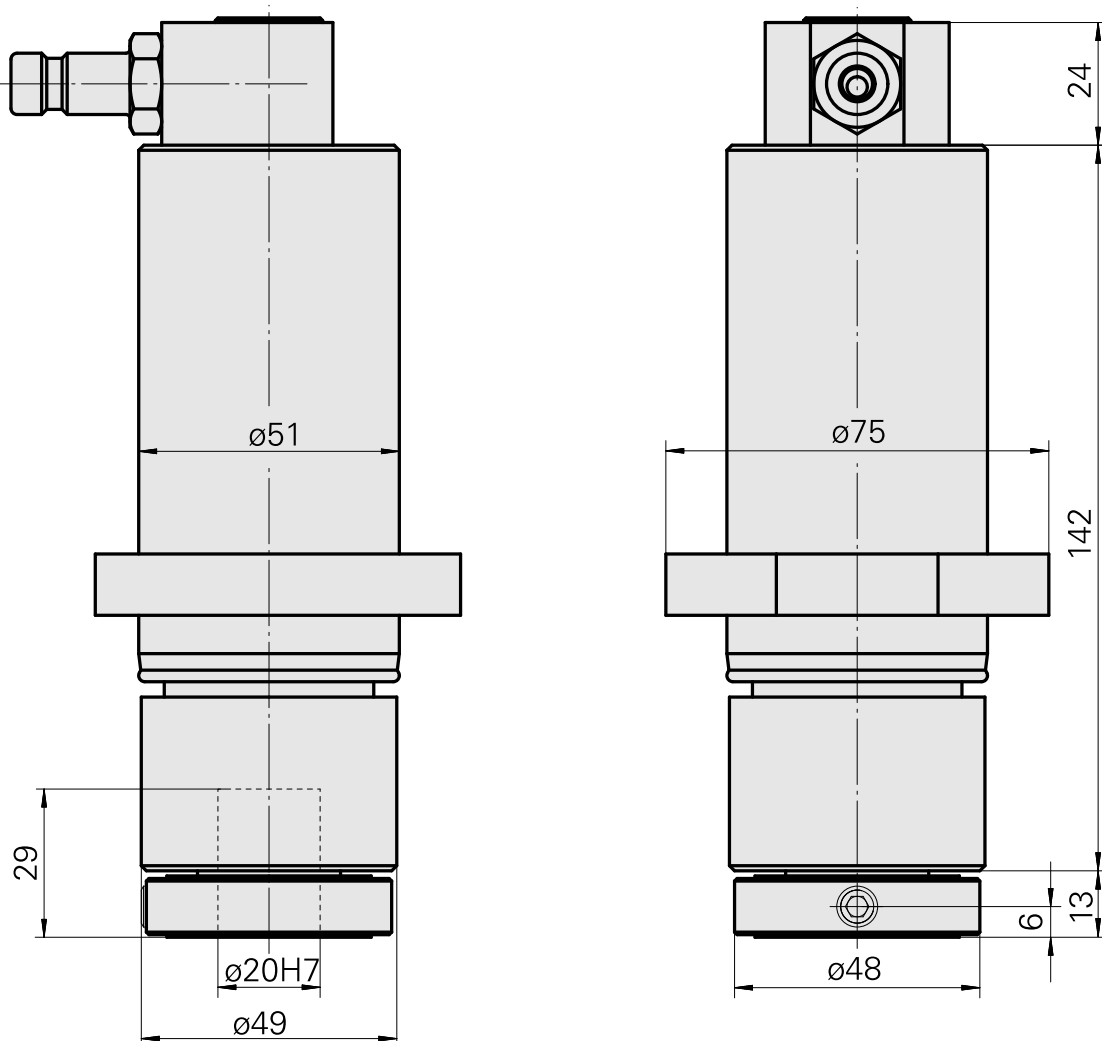
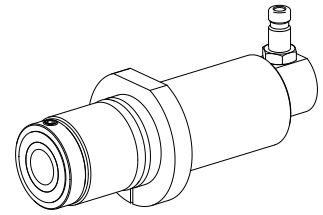


Reaming tool holder D20

Technical data

Drive	not live
Fixation MS	Clamping ring D51
Cooling	internal
Pressure	80 bar
Mounting	D20
X [mm]	–
Y [mm]	–
Z [mm]	–
INDEX TRAUB products	MS32C • MS52C • MS32-6.2 • MS40-6 • MS40-8 • MS52-6.3 • MS32-6.3



Documents

No downloads available for this product

Accessories

Optional accessories

Other accessories

Reduction

Product ID : 10967092

Previous product ID : W95280.115-
