

## WFB 20-12 for CC.. 09T3.., left, without gripper groove

### Technical data

TH accessories category

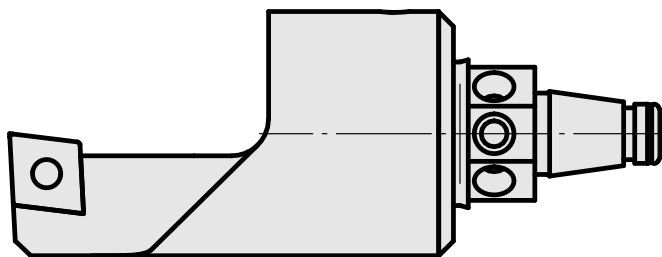
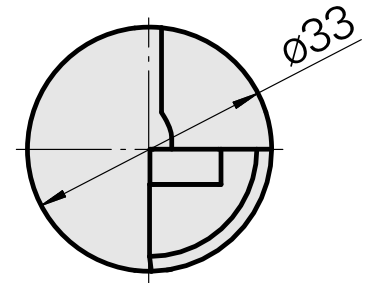
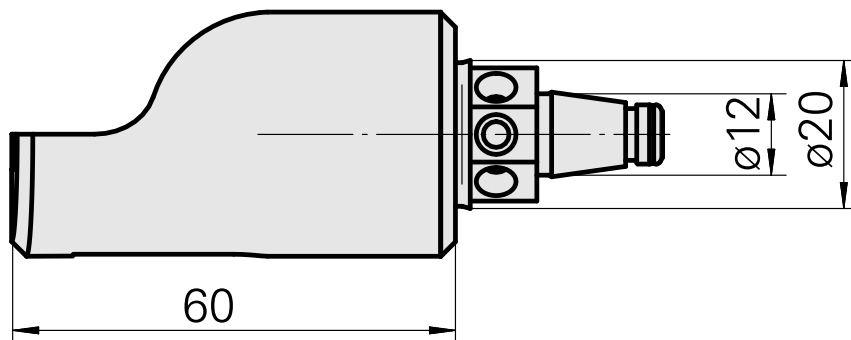
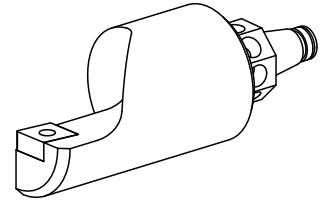
WFB 20-12

Mounting

for CC.. 09T3..

Quick change inserts

Turning tool holder



## **Documents**

No downloads available for this product