

WFB 32-20 Shrink-fit mounting D16, 2-piece type

Technical data

TH accessories category

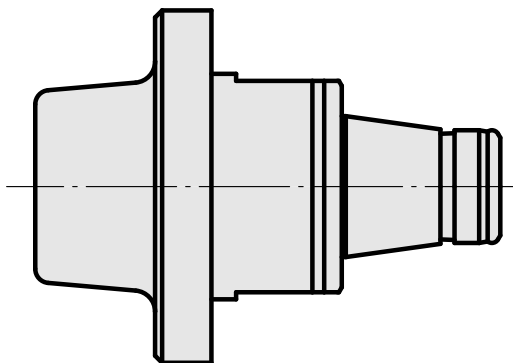
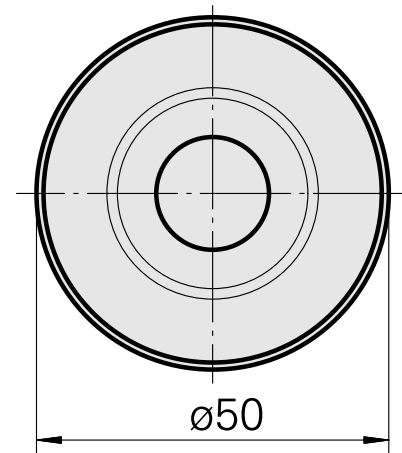
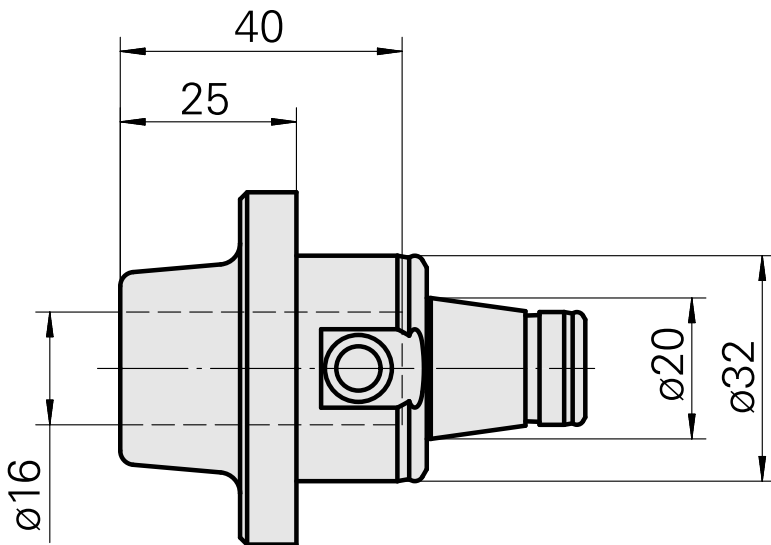
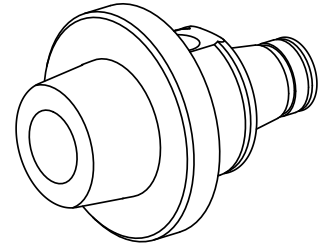
WFB 32-20

Mounting

Shrink-fit mounting D16

Quick change inserts

shrink-fit mounting



10166771
836267

INDEX

Documents

No downloads available for this product