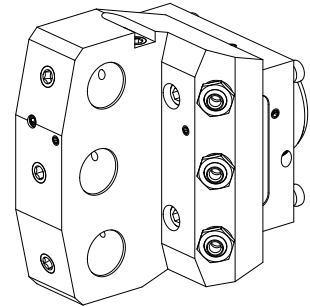


Basic holder KPS 45 D20 (0.79 "), triple

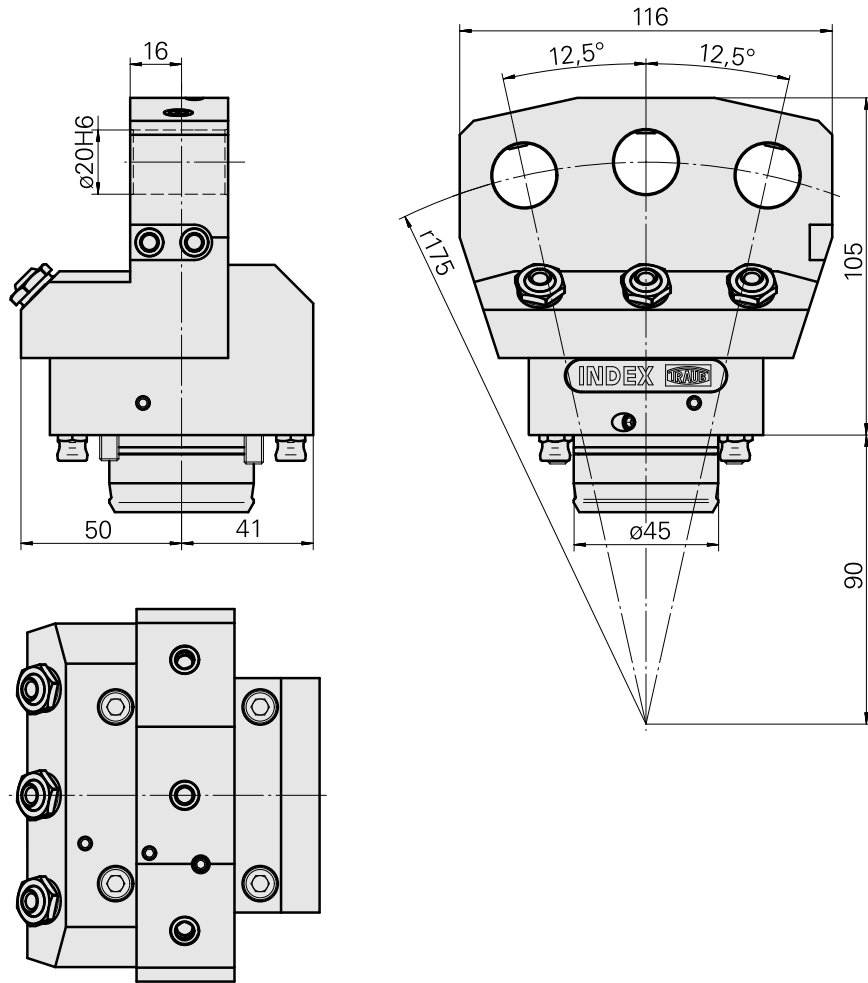
Technical data

| | |
|-----------------------------|---|
| Shank KPS | KPS 45 |
| Drive | not live |
| Cooling | external and internal |
| Mounting | D20 |
| Pressure | 120 bar |
| X [mm] | 85 (3.35") |
| Y [mm] | ±12.5° |
| Z [mm] | 16 (0.63) |
| INDEX TRAUB products | TNL18 • TNL20 • TNL32-11 compact • TNL20-11 • TNL32 compact • TNK40.2-10 • TNL20.2 • TNK40.2 |



Note

Can not be used for machining on the main spindle!



Documents

Product notes

[FR \(pdf\)](#)

[DE \(pdf\)](#)

[EN \(pdf\)](#)

Accessories

Optional accessories

Tool holders with compact shank

[Mount ER16](#)

Product ID : 10350291

Previous product ID : W9991140

| | | | |
|-------------------|---------------------|------------------|--|
| Drive not live | Cooling internal | Mounting ER16 | Pressure 80 bar |
| X [mm] - | Y [mm] - | Z [mm] - | INDEX TRAUB products TNL18 • TNL20 • TNL32-11 • TNL32 • TNL32-11 compact • TNL20-11 • TNL32 compact • TNK40.2-10 • TNL20.2 • TNK40.2 |

[Mount WFB 20-12](#)

Product ID : 10286381

Previous product ID : W9991139

| | | | |
|-------------------|---------------------|-----------------------|--|
| Drive not live | Cooling internal | Mounting WFB 20-12 | Pressure 80 bar |
| X [mm] - | Y [mm] - | Z [mm] - | INDEX TRAUB products TNL18 • TNL20 • TNL32-11 • TNL32 • TNL32-11 compact • TNL20-11 • TNL32 compact • TNK40.2-10 • TNL20.2 • TNK40.2 |

Tool holder accessories

[Center holder, spring-loaded, D15.14 mm \(0.59"\)/taper 1:7.5](#)

Product ID : 11097039

Previous product ID : W9991302

TH accessories
category
Center holder

Mounting
D20

Tool mounting
Taper 1:7,5

Other accessories

[BUSHING 10 D x 6 D x 12,5](#)

Product ID : 10670360

Previous product ID : W67530.0824

[HOLLOW SCREW M14x1 M14x1](#)

Product ID : 10105238

Previous product ID : W67530.0818

[Coolant Nozzle](#)

Product ID : 11031912

Previous product ID : W67500.3208

[Grub screw M10x1x11](#)

Product ID : 10165359

Previous product ID : 326057
