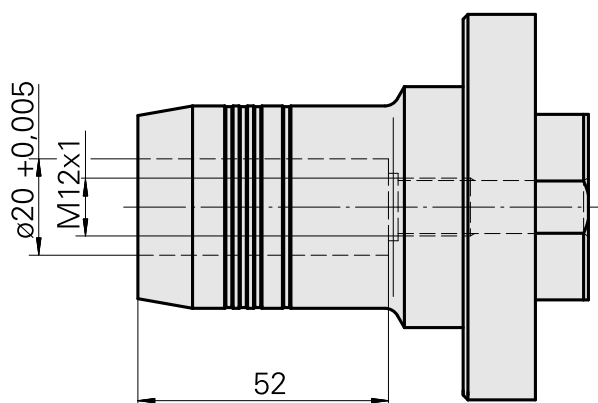
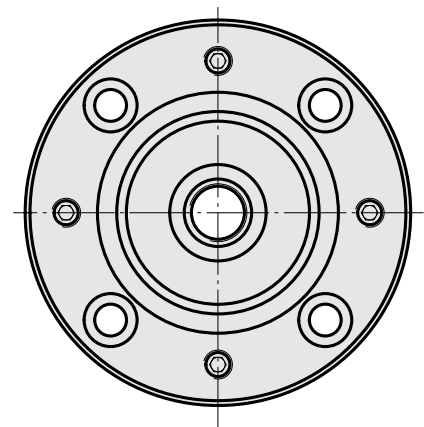
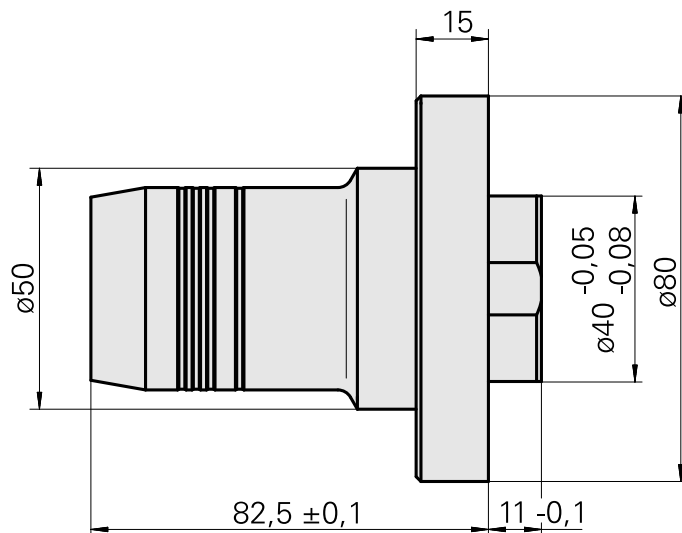
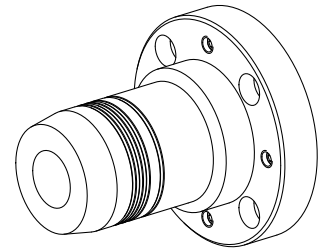


Drill holding block Hydraulic expansion

Technical data

Drive	not live
Fixation VDI	none
Cooling	external and internal
Pressure	80 bar
Mounting	Hydraulic expansion chuck D20
X [mm]	83 (3.27")
Y [mm]	-
Z [mm]	-
INDEX TRAUB products	G160 • ABC • C100 • C200 • G200 • G200.2 • G220 • ABC.2



Documents

Product notes

[DE \(pdf\)](#)

[EN \(pdf\)](#)

[FR \(pdf\)](#)