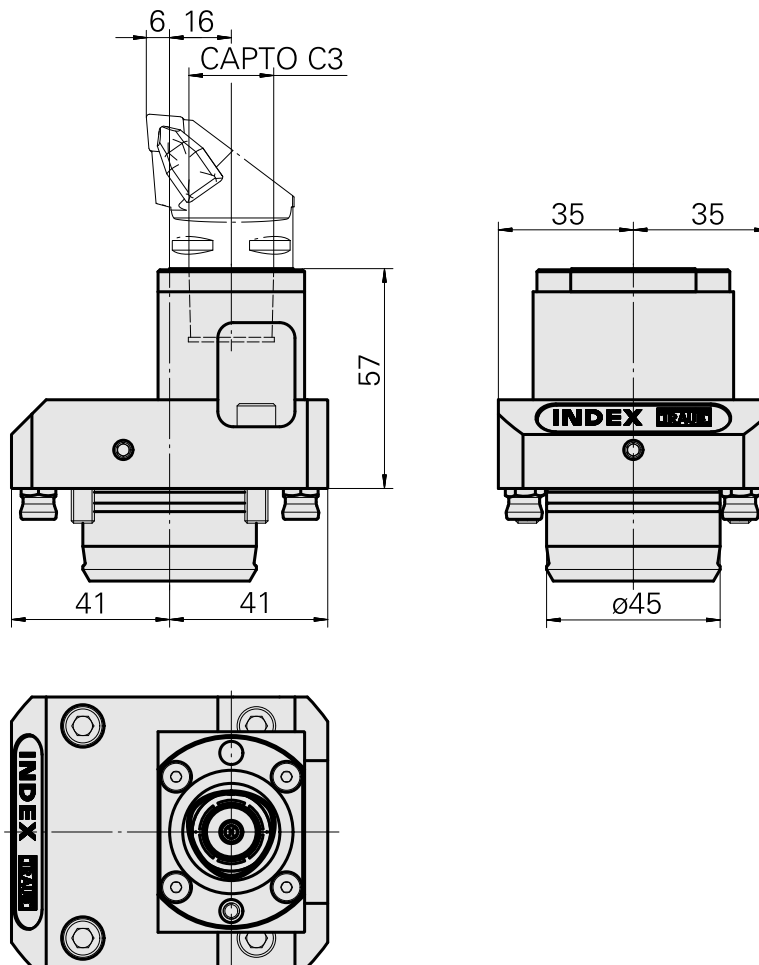
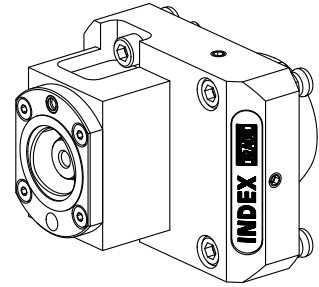


Basic holder KPS 45 INDEX CAPTO C3

Technical data

Shank KPS	KPS 45
Drive	not live
Cooling	internal
Mounting	INDEX CAPTO C3
Pressure	80 bar
reversible 180°	yes
X [mm]	57 (2.24")
Y [mm]	-
Z [mm]	16 (0.63)
INDEX TRAUB products	TNL18 • TNL20 • TNL32-11 • TNL32 • TNL32-11 compact • TNL20-11 • TNL32 compact • TNK40.2-10 • TNL20.2 • TNK40.2



Documents

Product notes

[FR \(pdf\)](#)

[EN \(pdf\)](#)

[DE \(pdf\)](#)

Accessories

Optional accessories

Other accessories

[Adapter INDEX CAPTO C3 fixed](#)

Product ID : 12062333

Previous product ID :
