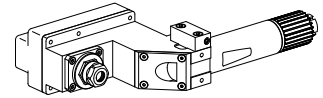
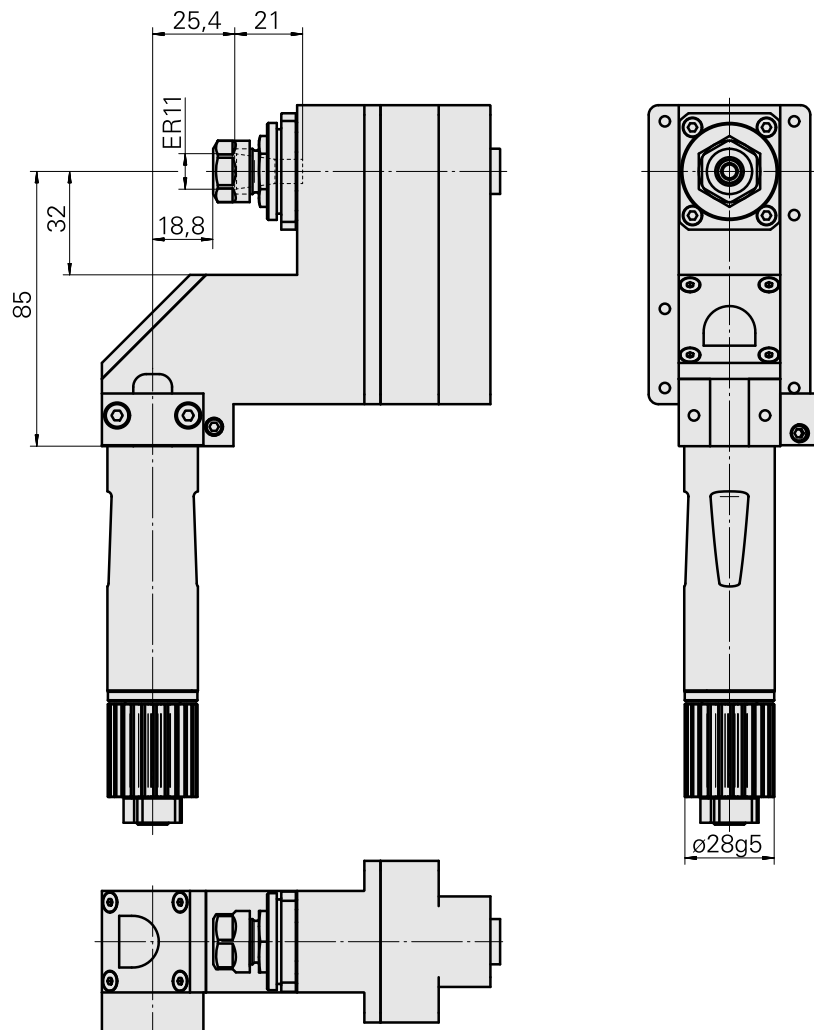


## Milling unit Shank 28 1:1 ER11

### Technical data



Shank TNL	Shank 28
Drive	Gear TRAUB TNL12
Fixation TNL	Pre-centering pin
Speed ratio	1:1
Mounting	ER11
Direction	opposite to drive direction
X [mm]	18.5 (0.73")
Y [mm]	-
Z [mm]	85 (3.35)
INDEX TRAUB products	TNL12 • TNL12.2



---

## Documents

No downloads available for this product

## Accessories

Required for operation

### [Spanner](#)

Product ID : 10969996

Previous product ID : 490219.0111

TH accessories category Tool	Mounting ER11	Collet type ER 11	Clamping nut type Female thread
Tools for Collet chucks Clamping nut wrench			

### Optional accessories

#### Tool holder accessories

### [Clamping nut](#)

Product ID : 10302707

Previous product ID : 322438

TH accessories category Clamping nut	Mounting ER11	Collet type ER 11	Clamping nut type Female thread
---	------------------	----------------------	------------------------------------

#### Other accessories

### [Clamping collet](#)

Product ID : 10086829

Previous product ID : 901930.0---

---

### [tapping tool collet ET-1-12](#)

Product ID : 10001911

Previous product ID : 3239--

---

10018465  
950526

**INDEX**

---

[tapping tool collet ER11GB](#)

Product ID : 10285407

Previous product ID : 900288

---

[Collet chuck](#)

Product ID : 10132309

Previous product ID : W999064-

---