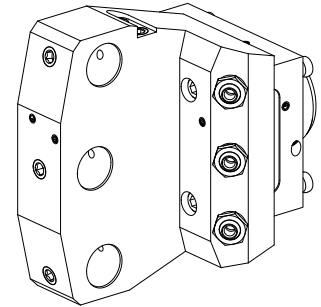


## Basic holder KPS 45 D20 (0.79 "), triple

### Technical data

<b>Shank KPS</b>	KPS 45
<b>Drive</b>	not live
<b>Cooling</b>	external and internal
<b>Mounting</b>	D20
<b>Pressure</b>	120 bar
<b>reversible 180°</b>	no
<b>X [mm]</b>	100 (3.94")
<b>Y [mm]</b>	±12.5°
<b>Z [mm]</b>	16 (0.63)
<b>INDEX TRAUB products</b>	ABC65 • TNK42/65 • TNL32-11 • TNL32



## Documents

### Product notes

[DE \(pdf\)](#)

[EN \(pdf\)](#)

[FR \(pdf\)](#)

## Accessories

### Optional accessories

#### Tool holders with compact shank

##### [Mount ER16](#)

Product ID : 10350291

Previous product ID : W9991140

Drive not live	Cooling internal	Mounting ER16	Pressure 80 bar
X [mm] -	Y [mm] -	Z [mm] -	INDEX TRAUB products TNL18 • TNL20 • TNL32-11 • TNL32 • TNL32-11 compact • TNL20-11 • TNL32 compact • TNK40.2-10 • TNL20.2 • TNK40.2

##### [Mount WFB 20-12](#)

Product ID : 10286381

Previous product ID : W9991139

Drive not live	Cooling internal	Mounting WFB 20-12	Pressure 80 bar
X [mm] -	Y [mm] -	Z [mm] -	INDEX TRAUB products TNL18 • TNL20 • TNL32-11 • TNL32 • TNL32-11 compact • TNL20-11 • TNL32 compact • TNK40.2-10 • TNL20.2 • TNK40.2

#### Tool holder accessories

---

[Center holder, spring-loaded, D15.14 mm \(0.59"\)/taper 1:7.5](#)

Product ID : 11097039

Previous product ID : W9991302

TH accessories  
category  
Center holder

Mounting  
D20

Tool mounting  
Taper 1:7,5

**Other accessories**

[BUSHING 10 D x 6 D x 12,5](#)

Product ID : 10670360

Previous product ID : W67530.0824

---

[HOLLOW SCREW M14x1 M14x1](#)

Product ID : 10105238

Previous product ID : W67530.0818

---

[Coolant Nozzle](#)

Product ID : 11031912

Previous product ID : W67500.3208

---

[Grub screw M10x1x11](#)

Product ID : 10165359

Previous product ID : 326057

---