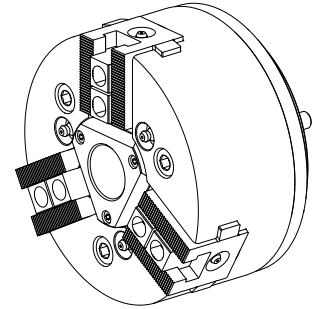


3-Backenfutter KFD-HE 160-32

Technical data

Produkte INDEX TRAUB	G200
Spindeldurchlass	32mm
Bearbeitungsseite	Hauptspindel • Gegenspindel
Hersteller Produktlinie	KFD-HE 160-32
Spindelaufnahme	AP140
Hersteller Produktlinie	Roehm



No 3-side view is currently available for this product

Documents

No downloads available for this product

Accessories

Optional accessories

O-Ringe

[O-RING 67X2,5 B70SH](#)

Product ID : 10633169

Previous product ID : 479105.6702

Hersteller Produktlinie Trelleborg	TSS Werkstoffnr. N7024	Schnurstärke 2.5 Millimeter	Hersteller Produktlinie O-Ring
---------------------------------------	---------------------------	--------------------------------	-----------------------------------

[O-RING 50,47X2,62 V70SH](#)

Product ID : 10753940

Previous product ID : 479103.0502

manufacturer product line Trelleborg	TSS material no.	Cord size 2.62 Millimeter	manufacturer product line O-ring
--	------------------	------------------------------	--

Other accessories

[AUFSATZBACKE W 35X50X70 BxHxL](#)

Product ID : 10144601

Previous product ID : 908210.5001

[AUFSATZBACKEN vorgearb. BxHxL 40x56x70](#)

Product ID : 10034999

Previous product ID : 908210.5651

[AUFSATZBACKEN vorgearb. BxHxL 40x40x70](#)

Product ID : 10110409

Previous product ID : 908210.4051

[AUFSATZBACKEN vorgearb. BxHxL 40x40x82](#)

Product ID : 10690860
Previous product ID : 908210.4052

[AUFSATZBACKEN vorgearb. BxHxL 40x76x70](#)

Product ID : 10528707
Previous product ID : 908210.7651

[AUFSATZBACKEN BxHxL 40x60x90](#)

Product ID : 10943399
Previous product ID : 908210.6051

[AUFSATZBACKEN BxHxL 76x48x68](#)

Product ID : 10151234
Previous product ID : 908210.4851

[ADAPTER 160 ARBSPI D60 M52x1,5 auf M42x1,5 mm / 74 mm](#)

Product ID : 10406397
Previous product ID : 908127.8151

[Zwischenstueck M52x1,5 auf M69x1,5](#)

Product ID : 11042473
Previous product ID : L31132.

[KEGELBUCHSE 20014438 U/ZG.NR. 11714](#)

Product ID : 10548744
Previous product ID : L31221.

[O-RING 71,12X2,62 V70SH](#)

Product ID : 10954290
Previous product ID : 479103.0712

10694116
908127.5201

INDEX

[Backen-Ausdrehringe RotorRi L Standard-Umfang bis Ø250mm](#)

Product ID : 10362531

Previous product ID : W9991012

[Backen-Ausdrehringe RotorRi L Premium-Umfang bis Ø250mm](#)

Product ID : 10422192

Previous product ID : W9991013
