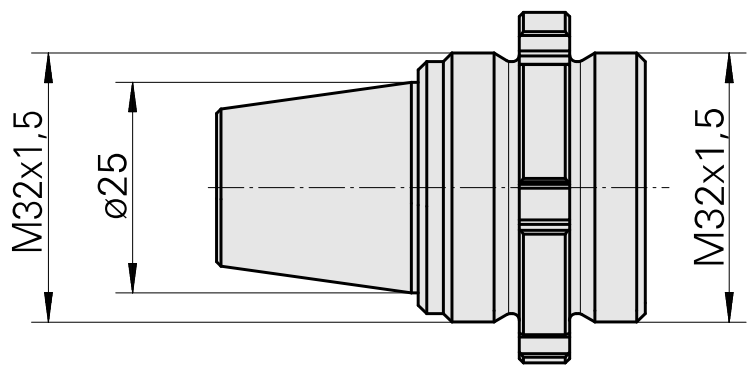
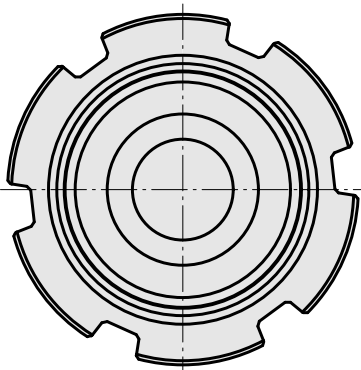
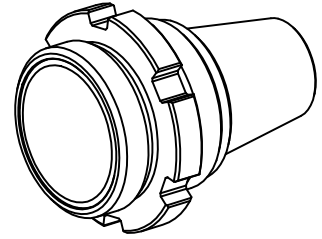


Adaptor ER25

Technical data

There are currently no additional technical features stored for this product



Documents

No downloads available for this product