

3-jaw chuck

Technical data

INDEX TRAUB products

B500 • TNA500.2 • B500.3 •
TNA500.3

Spindle clearance

102mm

Machining side

Main spindle

manufacturer product line

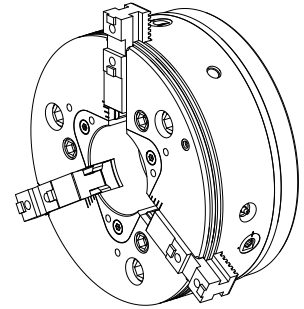
ROTA THW PLUS 315-104 A11

Spindle mounting

KK11

manufacturer product line

Schunk



No 3-side view is currently available for this product

Documents

No downloads available for this product