

Housing

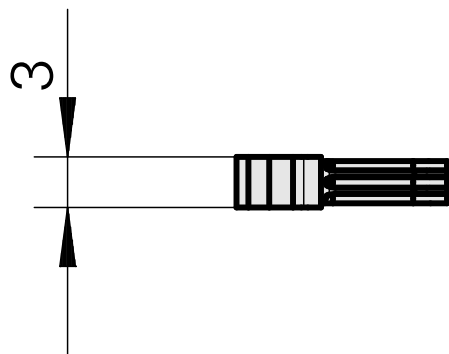
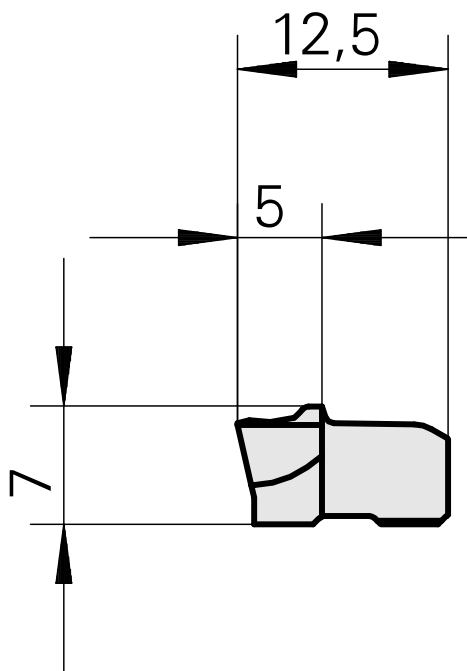
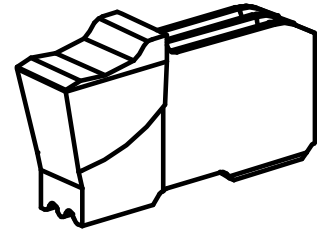
Technical data

TH accessories category

Cutting tools

Mounting

Löcher System



Documents

No downloads available for this product