

INDEX CAPTO C6, Messtasterhalter Renishaw D11,2

Technical data

TH accessories category

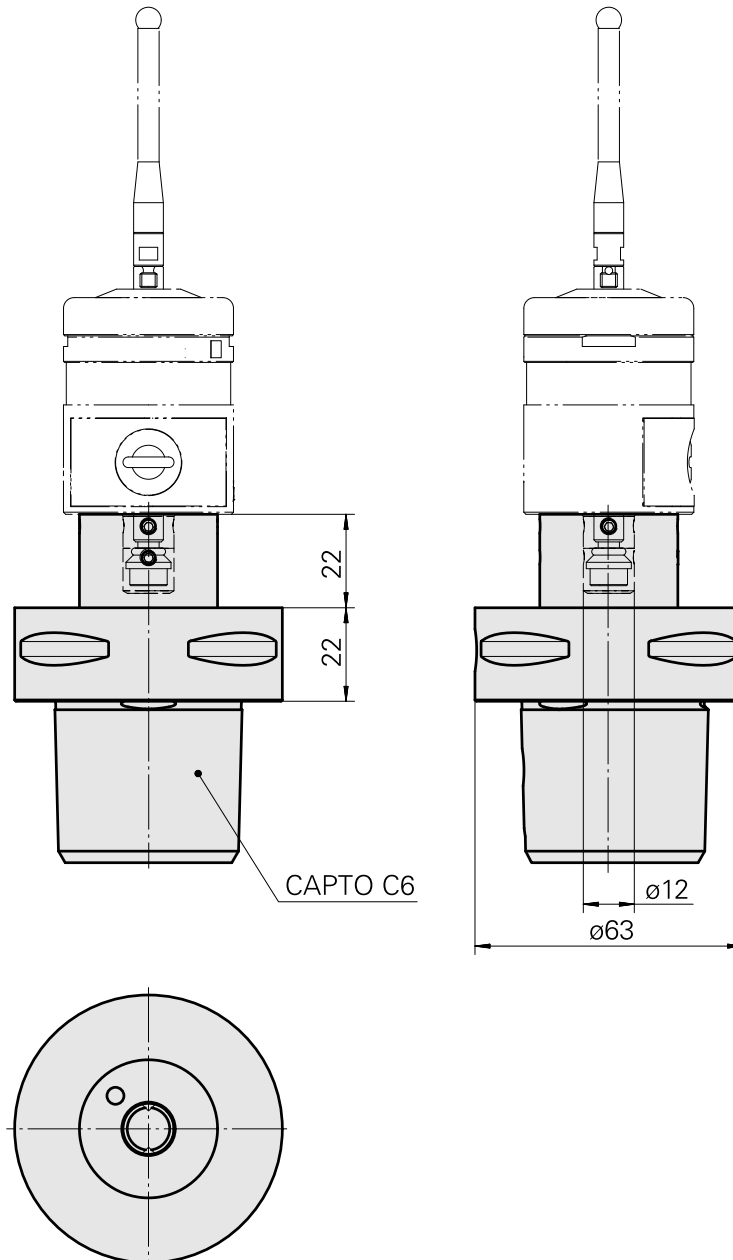
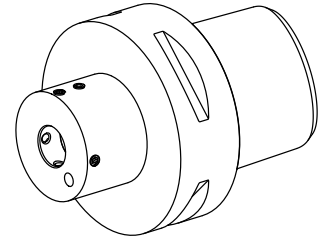
INDEX CAPTO C6

Tool mounting

Renishaw D11,2

Quick change inserts

Probe holder



Documents

No downloads available for this product

Accessories

Required for operation

Not defined

Product ID : 12133465

Previous product ID :

Push-button insert

Product ID : 12133466

Previous product ID :

Probe

Product ID : 10338967

Previous product ID : 487542.1441

Optional accessories

Tool holder accessories

Coolant adapter kit

Product ID : 10865732

Previous product ID : W00019.0109

TH accessories
category
Cooling lubricant
transfer set

Mounting
INDEX CAPTO C6

[Socket wrench](#)

Product ID : 12144844

Previous product ID :

TH accessories
category
Tool for KSS adapter

Mounting
INDEX CAPTO C6

Other accessories

[Case A-2033-7001](#)

Product ID : 10259626

Previous product ID : 487542.0911
