

Center holder, spring-loaded, D15.14 mm (0.59")/taper 1:7.5

Technical data

TH accessories category

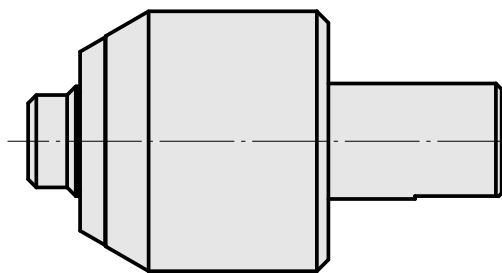
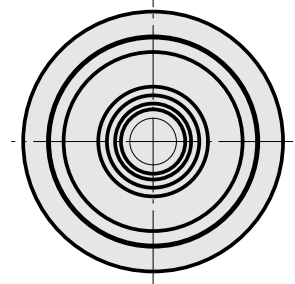
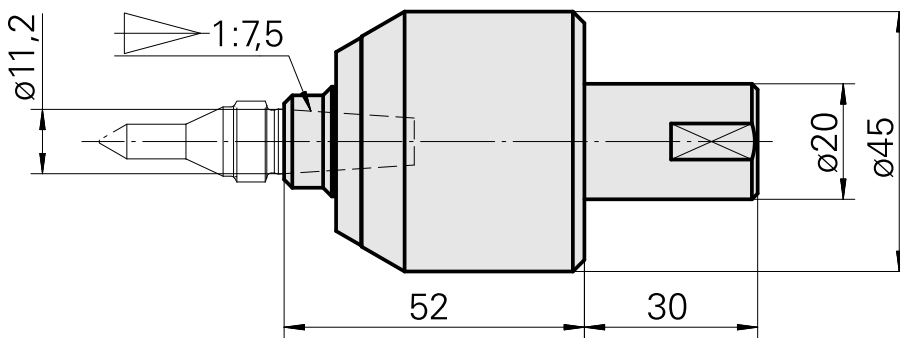
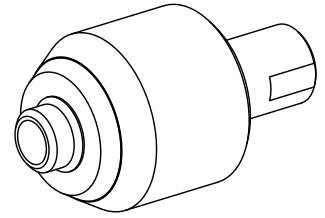
Center holder

Mounting

D20

Tool mounting

Taper 1:7,5



Documents

No downloads available for this product

Accessories

Optional accessories

Other accessories

[Center Kegel 1:7.5](#)

Product ID : 10112982

Previous product ID : W94280.23--
