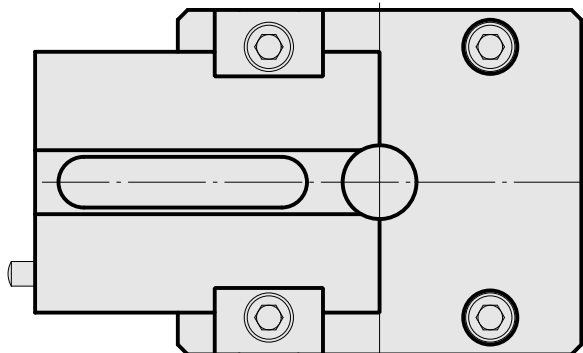
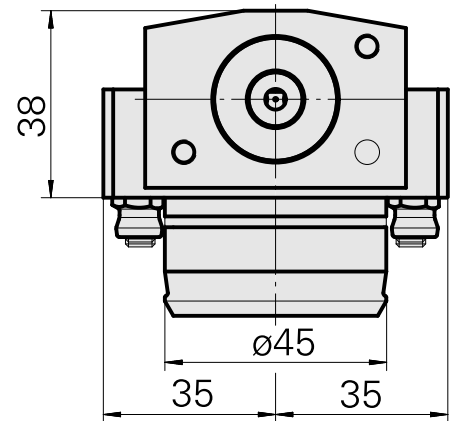
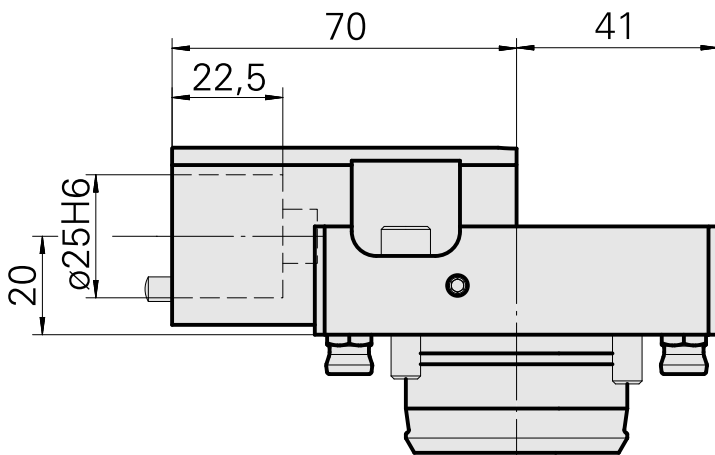
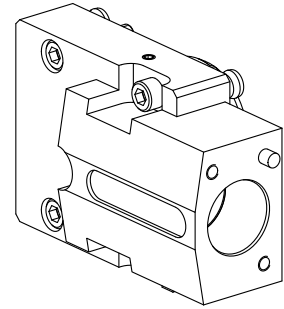


Basic holder KPS 45 D25 (0.98 ")

Technical data

Shank KPS	KPS 45
Drive	not live
Cooling	internal
Mounting	D25
Pressure	80 bar
X [mm]	20 (0.79")
Y [mm]	-
Z [mm]	70 (2.76)
INDEX TRAUB products	TNL20 • TNL32-11 compact • TNL20-11 • TNL32 compact • TNK40.2-10 • TNL20.2 • TNK40.2



Documents

No downloads available for this product

Accessories

Optional accessories

Tool holders with compact shank

[Fluid spindle Shank 25 ER8, up to 56.000 rpm](#)

Product ID : 12225119

Previous product ID :

Shank KPS Shank 25	Drive Fluid	Cooling external	Mounting ER8
Pressure 45 bar	X [mm] 53 (2.09")	Y [mm] -	Z [mm] -
INDEX TRAUB products TNL32-11 compact • TNL32 compact • TNL20.2 • TNL20-11 • TNL20 • TNK40.2-10 • TNK40.2			

[Mount Shank 25 D12 \(0.47 "\)](#)

Product ID : 11080547

Previous product ID : W9991237

Shank KPS Shank 25	Drive not live	Cooling internal	Mounting D12
Pressure 80 bar, internal 120 bar opt.	X [mm] -	Y [mm] -	Z [mm] 23 (0,91")
INDEX TRAUB products TNL20 • TNL32-11 compact • TNL20-11 • TNL32 compact • TNK40.2-10 • TNL20.2 • TNK40.2			

Mount Shank 25 ER16

Product ID : 11080538

Previous product ID : W9991235

Shank KPS Shank 25	Drive not live	Cooling internal	Mounting ER16
Pressure 80 bar, internal 120 bar opt.	X [mm] –	Y [mm] –	Z [mm] 19,6 (0,77")
INDEX TRAUB products TNL20 • TNL32-11 compact • TNL20-11 • TNL32 compact • TNK40.2-10 • TNL20.2 • TNK40.2			

Mount Shank 25 ER16

Product ID : 11080536

Previous product ID : W9991236

Shank KPS Shank 25	Drive not live	Cooling internal	Mounting ER16
Pressure 80 bar, internal 120 bar opt.	X [mm] –	Y [mm] –	Z [mm] 35.5 (1.40)
INDEX TRAUB products TNL20 • TNL32-11 compact • TNL20-11 • TNL32 compact • TNK40.2-10 • TNL20.2 • TNK40.2			

Mount Shank 25 WFB 20-12, adjustable in Y direction

Product ID : 12026018

Previous product ID :

Shank KPS Shank 25	Drive not live	Cooling internal	Mounting WFB 20-12
Pressure 80 bar	X [mm] -	Y [mm] -	Z [mm] 28 (1.10)
INDEX TRAUB products TNL20 • TNL32-11 compact • TNL20-11 • TNL32 compact • TNK40.2-10 • TNL20.2 • TNK40.2			

Mount Shank 25 WFB 20-12

Product ID : 11080541

Previous product ID : W9991238

Shank KPS Shank 25	Drive not live	Cooling internal	Mounting WFB 20-12
Pressure 80 bar, internal 120 bar opt.	X [mm] -	Y [mm] -	Z [mm] 15 (0.59)
INDEX TRAUB products TNL20 • TNL32-11 compact • TNL20-11 • TNL32 compact • TNK40.2-10 • TNL20.2 • TNK40.2			

Blanking plug Shank 25, Steel

Product ID : 11080539

Previous product ID : W9991239

Shank KPS Shank 25	Drive not live	X [mm] -	Y [mm] -
Z [mm] 8 (0.31)	INDEX TRAUB products TNL20 • TNL32-11 compact • TNL20-11 • TNL32 compact • TNK40.2-10 • TNL20.2 • TNK40.2		