

INDEX CAPTO C3 for VC.. 1103.., left, without gripper groove

Technical data

TH accessories category

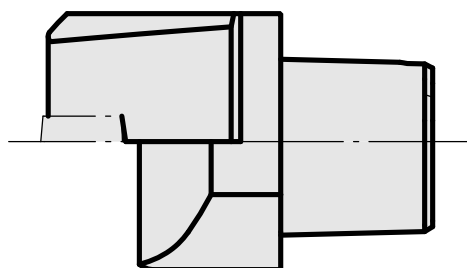
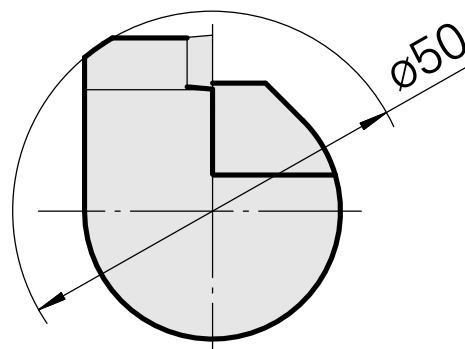
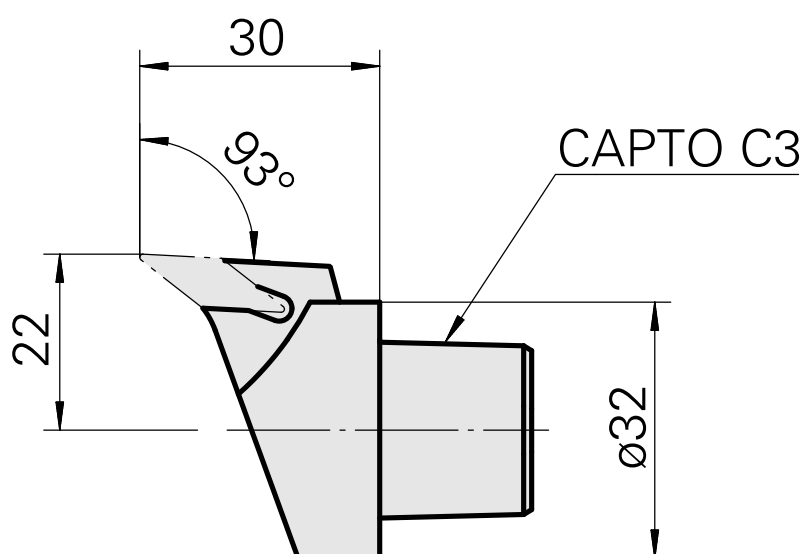
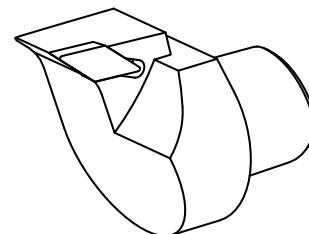
INDEX CAPTO C3

Mounting

for VC.. 1103..

Quick change inserts

Turning tool holder



Documents

No downloads available for this product

Accessories

Optional accessories

Other accessories

[clamping screw](#)

Product ID : 12128417

Previous product ID :
